

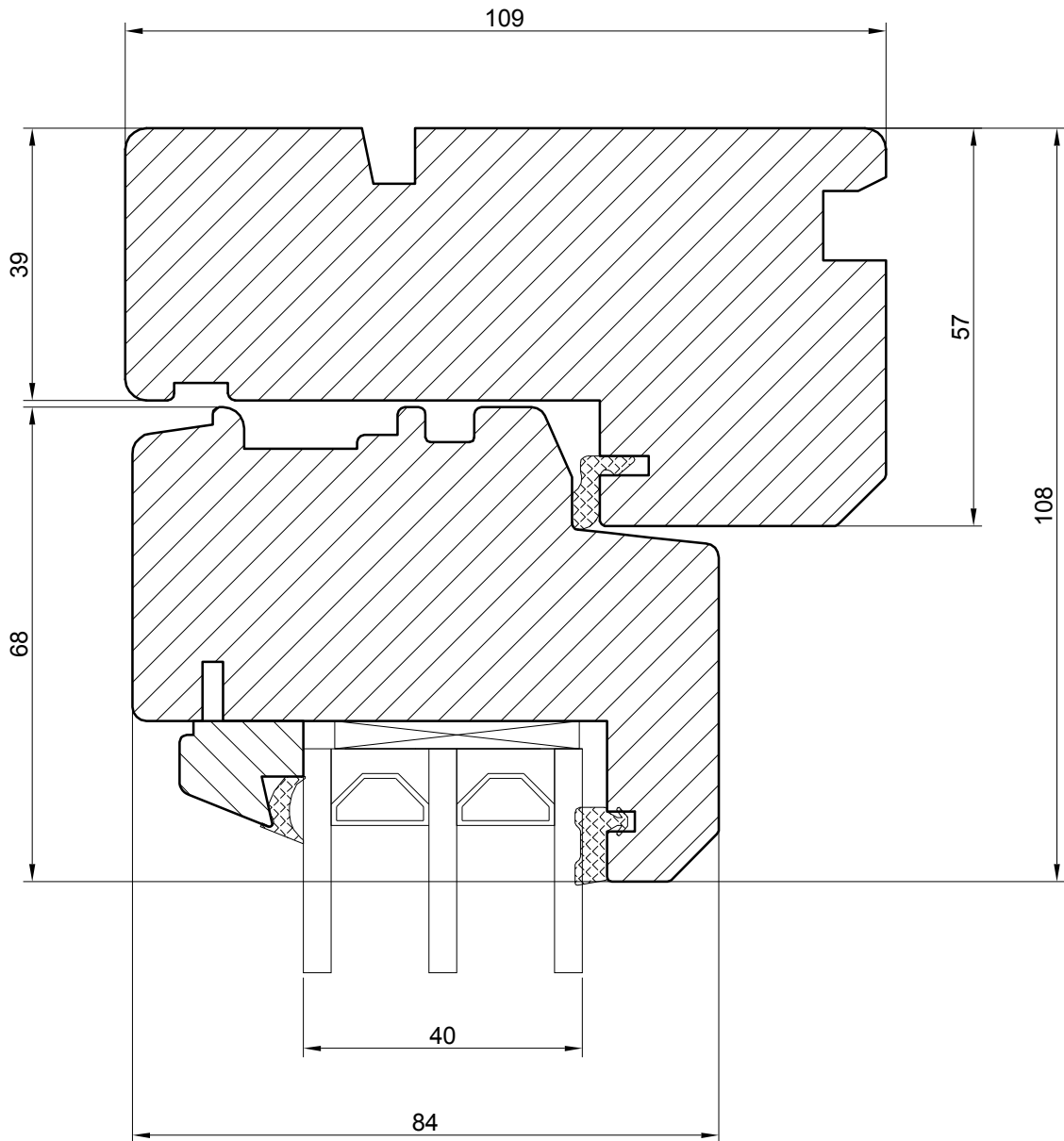
**FULLY REVERSIBLE PASSIVE WINDOW ( OPUS HINGES )**

**NORWOOD SP.ZO.O.**

Ul. Rataja 6, Rusocin  
83-031 Łęgowo  
+48 692 22 00  
biuro@norwood.pl

Description **HTSOP N109 FULLY REVERSIBLE WINDOW  
HEAD SECTION (30 mm glass)**

Revis.	Date	Size	1:1	Drw.	Date	02.01.2018
Verif.	Date	Drawing no.	HTSOP - 30 - he - 01			



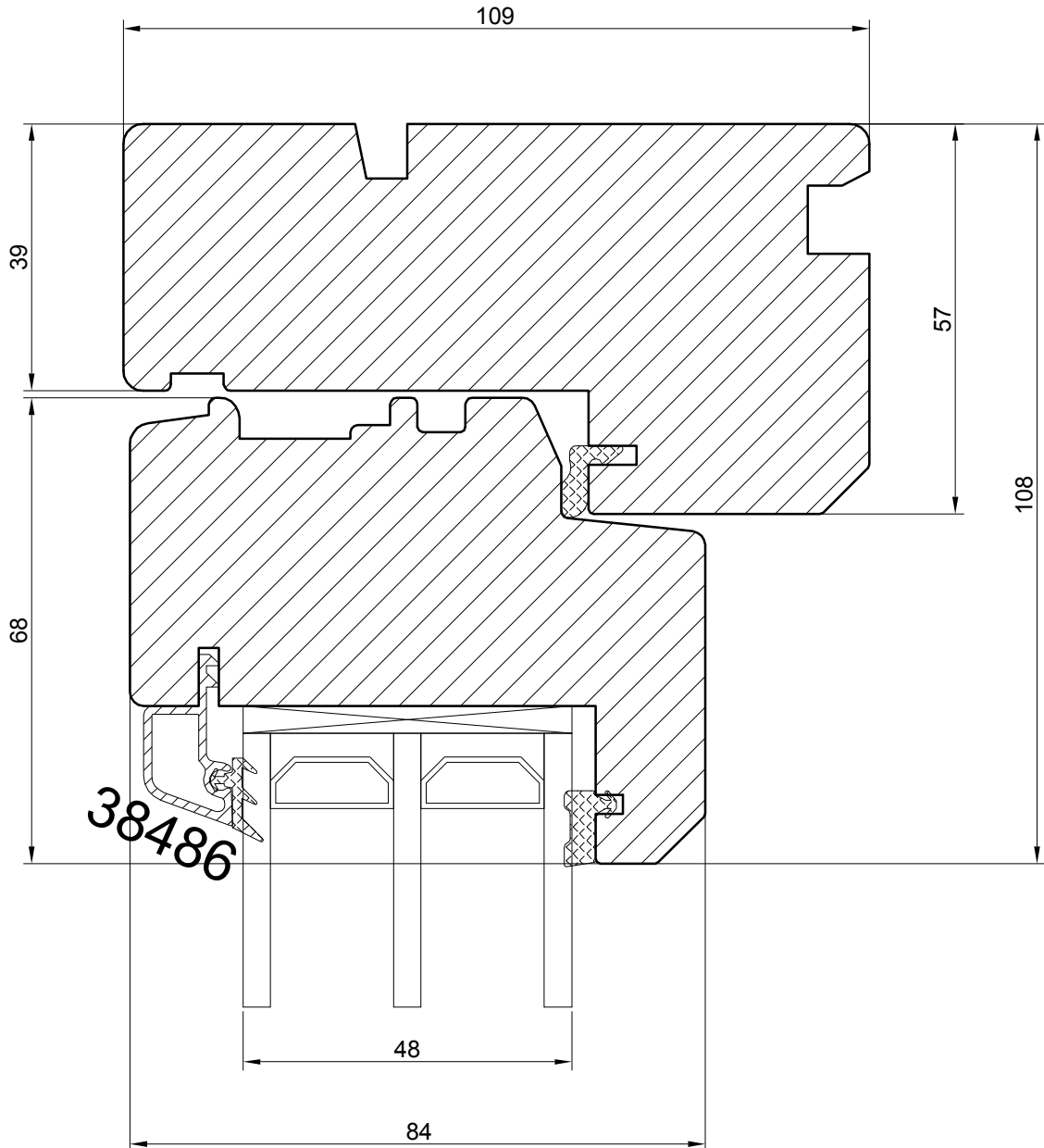
**FULLY REVERSIBLE PASSIVE WINDOW ( OPUS HINGES )**

**NORWOOD SP.ZO.O.**

Ul. Rataja 6, Rusocin  
 83-031 Łęgowo  
 +48 692 22 00  
 biuro@norwood.pl

Description **HTSOP N109 FULLY REVERSIBLE WINDOW  
 HEAD SECTION (40 mm glass)**

Revis.	Date	Size	1 : 1	Drw.	Date	02.01.2018
Verif.	Date	Drawing no.	HTSOP - 40 - he - 01			



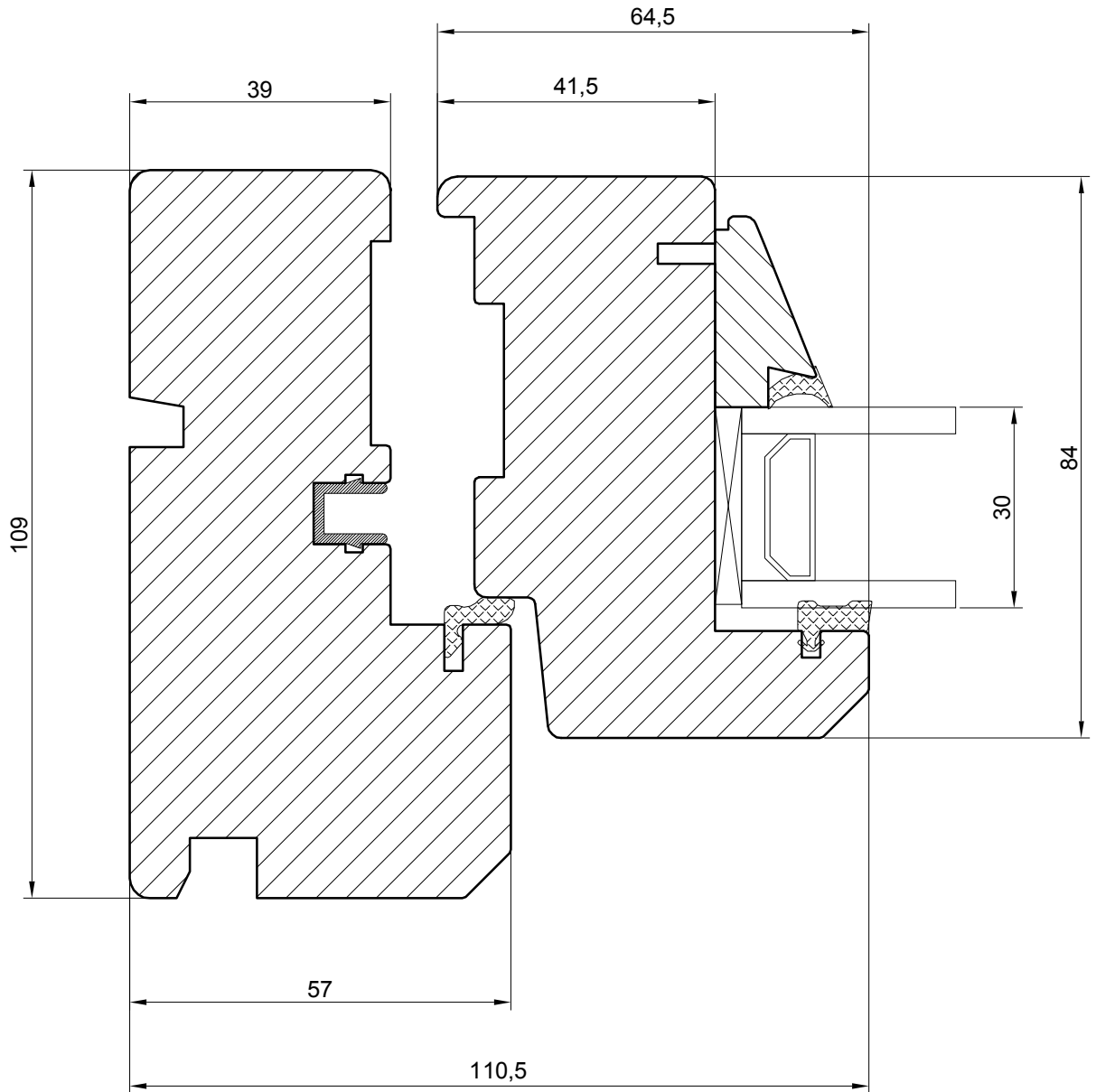
**FULLY REVERSIBLE PASSIVE WINDOW ( OPUS HINGES )**

**NORWOOD SP.ZO.O.**

Ul. Rataja 6, Rusocin  
83-031 Łęgowo  
+48 692 22 00  
biuro@norwood.pl

Description **HTSOP N109 FULLY REVERSIBLE WINDOW  
HEAD SECTION (48 mm glass)**

Revis.	Date	Size	1:1	Drw.	Date	02.01.2018
Verif.	Date	Drawing no.	HTSOP - 48 - he - 01			

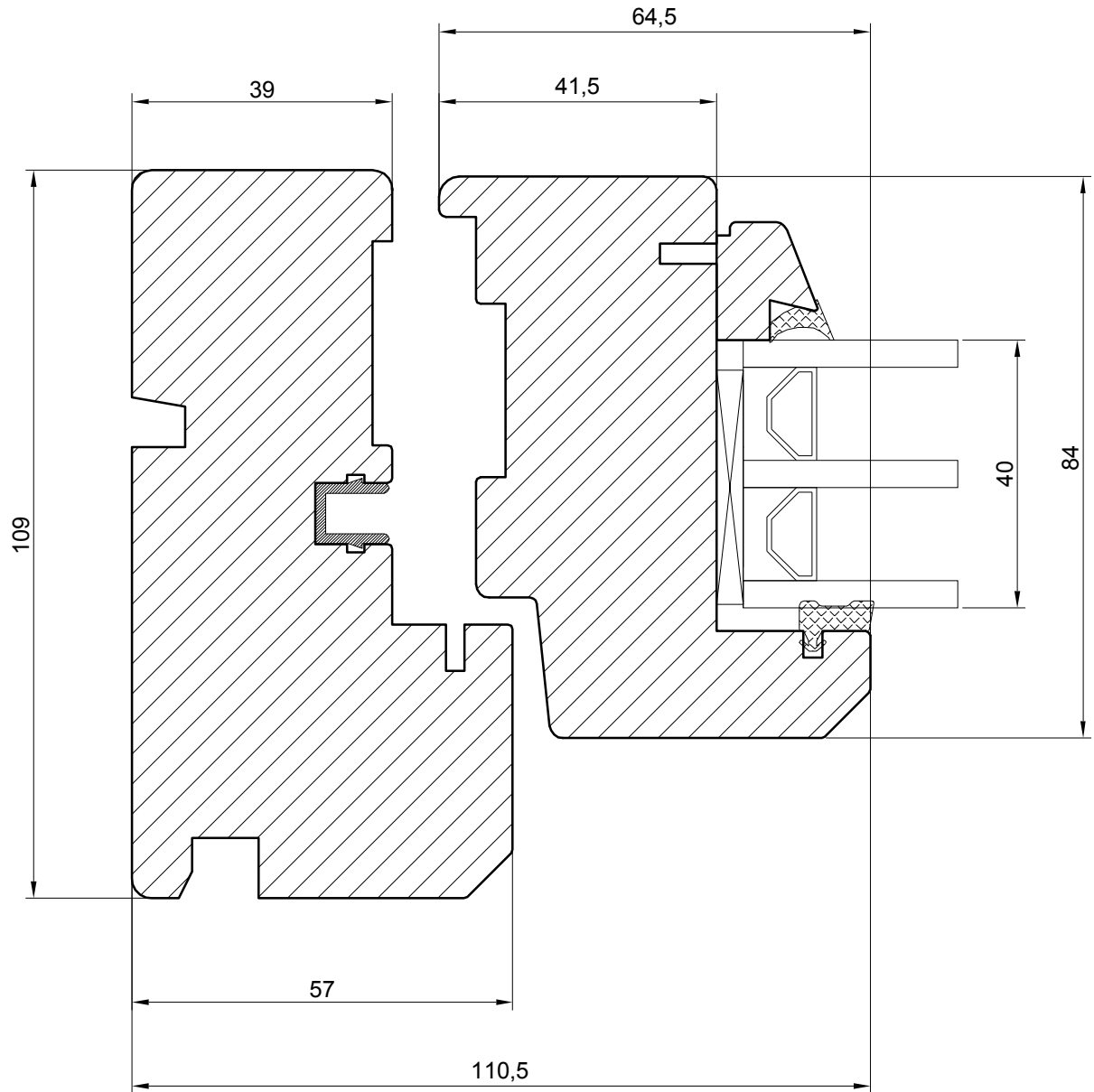


**FULLY REVERSIBLE PASSIVE WINDOW ( OPUS HINGES )**

**NORWOOD SP.ZO.O.**

Ul. Rataja 6, Rusocin  
83-031 Łęgowo  
+48 692 22 00  
biuro@norwood.pl

<i>Description</i>		<b>HTSOP N109 FULLY REVERSIBLE WINDOW JAMB SECTION (30 mm glass)</b>			
<i>Revis.</i>	<i>Date</i>	<i>Size</i>	<i>Drw.</i>	<i>Date</i>	
		<b>1:1</b>		<b>02.01.2018</b>	
<i>Verif.</i>	<i>Date</i>	<i>Drawing no.</i>			
		<b>HTSOP - 30 - se - 01</b>			

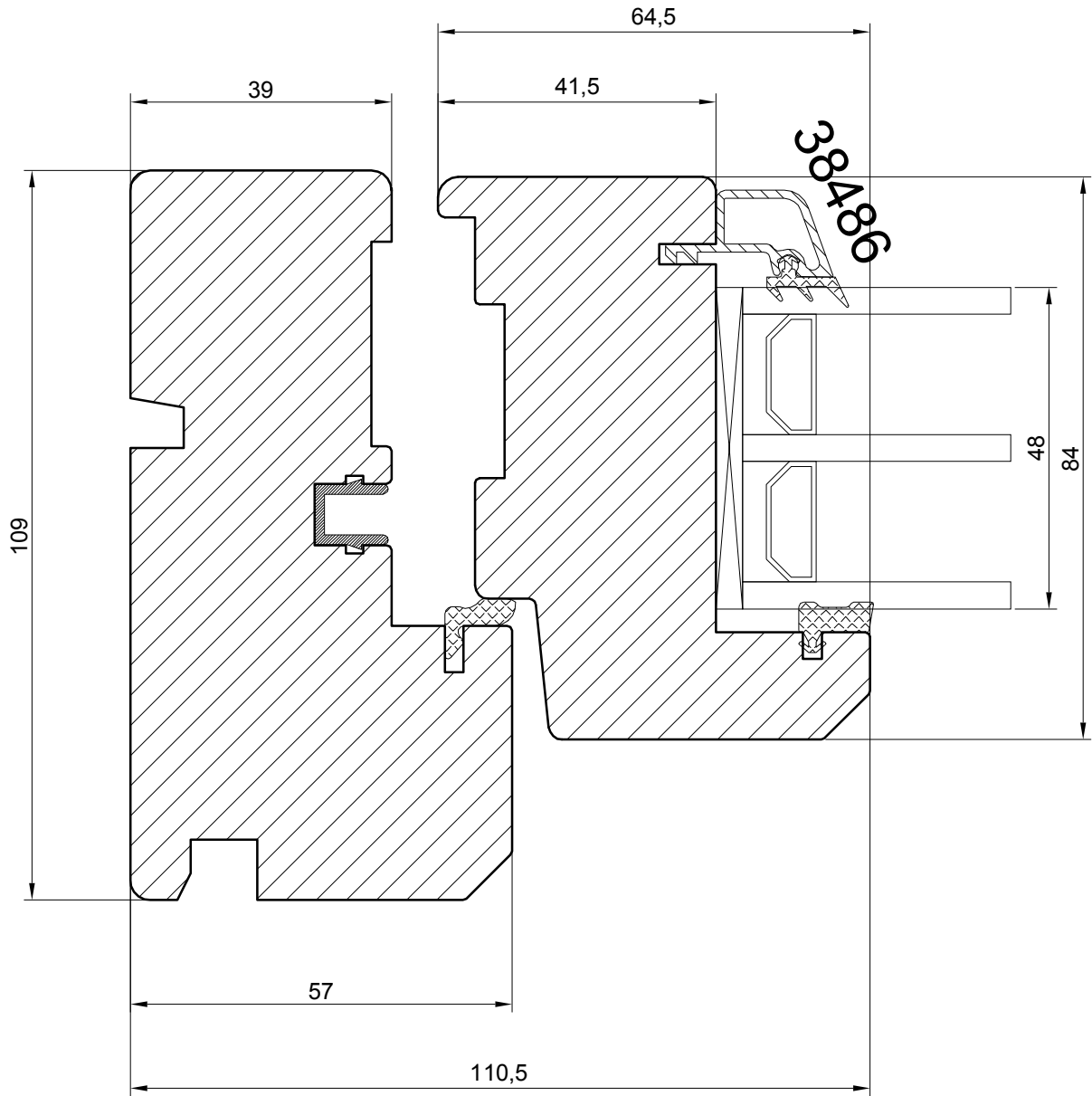


**FULLY REVERSIBLE PASSIVE WINDOW ( OPUS HINGES )**

**NORWOOD SP.ZO.O.**

Ul. Rataja 6, Rusocin  
 83-031 Łęgowo  
 +48 692 22 00  
 biuro@norwood.pl

<i>Description</i>		<b>HTSOP N109 FULLY REVERSIBLE WINDOW JAMB SECTION (40 mm glass)</b>			
<i>Revis.</i>	<i>Date</i>	<i>Size</i>	<i>Drw.</i>	<i>Date</i>	
		<b>1:1</b>		<b>02.01.2018</b>	
<i>Verif.</i>	<i>Date</i>	<i>Drawing no.</i>			
		<b>HTSOP - 40 - se - 01</b>			



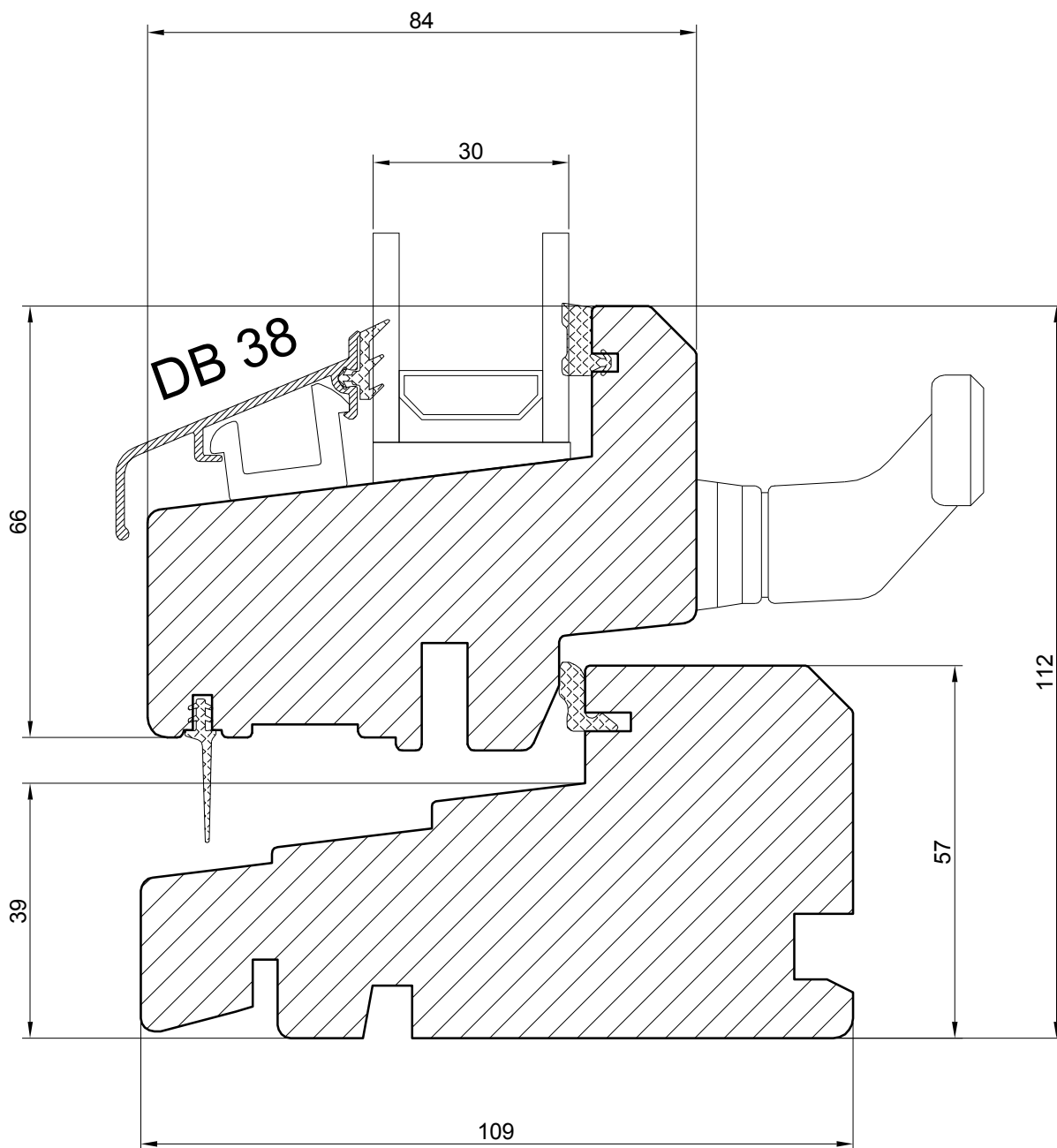
**FULLY REVERSIBLE PASSIVE WINDOW ( OPUS HINGES )**

**NORWOOD SP.ZO.O.**

Ul. Rataja 6, Rusocin  
83-031 Łęgowo  
+48 692 22 00  
biuro@norwood.pl

Description **HTSOP N109 FULLY REVERSIBLE WINDOW  
JAMB SECTION (48 mm glass)**

Revis.	Date	Size	1:1	Drw.	Date	02.01.2018
Verif.	Date	Drawing no.		HTSOP - 48 - se - 01		



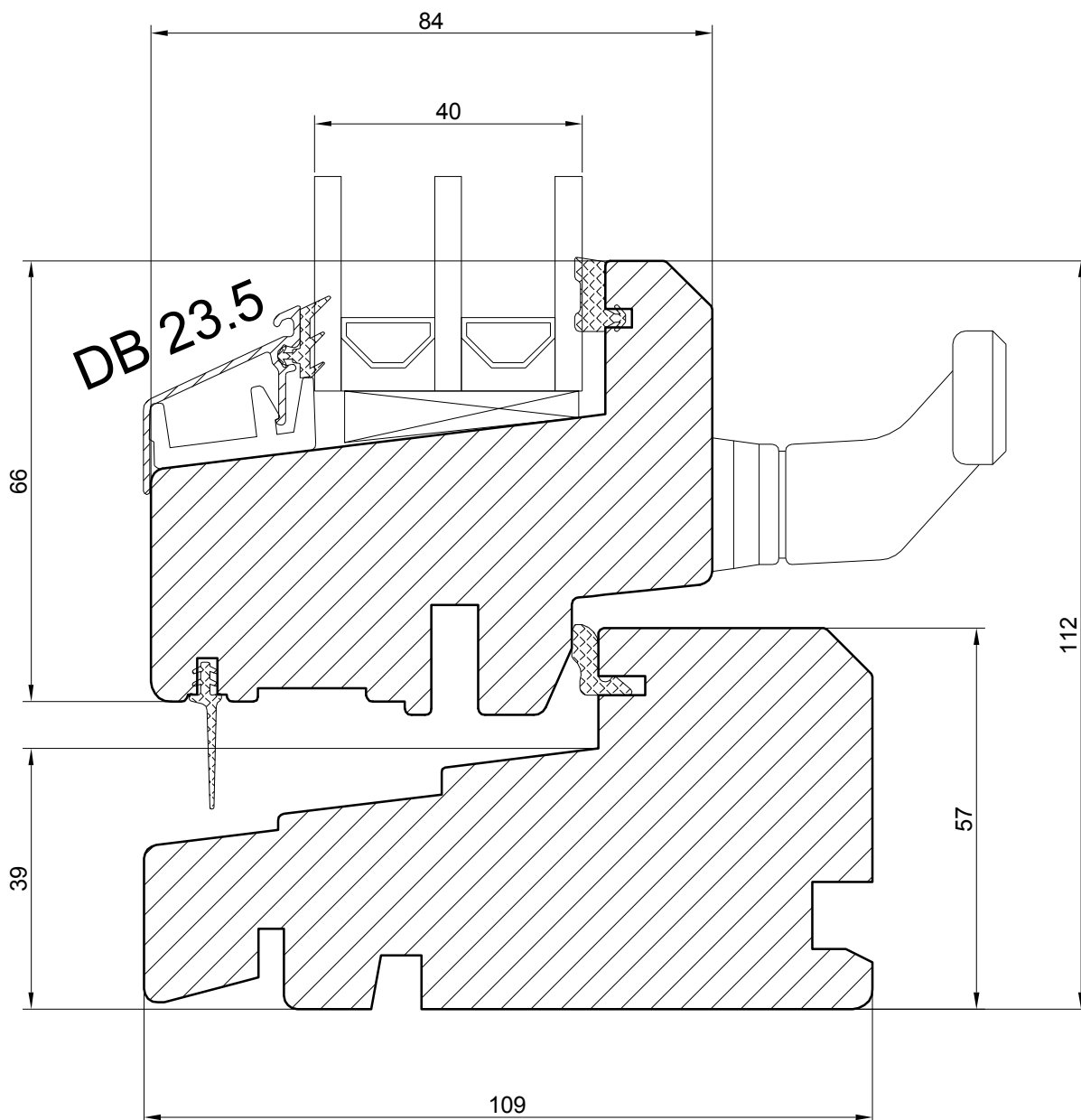
**FULLY REVERSIBLE PASSIVE WINDOW ( OPUS HINGES )**

**NORWOOD SP.ZO.O.**

Ul. Rataja 6, Rusocin  
83-031 Łęgowo  
+48 692 22 00  
biuro@norwood.pl

Description **HTSOP N109 FULLY REVERSIBLE WINDOW  
SILL SECTION (30 mm glass)**

Revis.	Date	Size	1 : 1	Drw.	Date	02.01.2018
Verif.	Date	Drawing no.	HTSOP - 30 - sl - 01			



## FULLY REVERSIBLE PASSIVE WINDOW ( OPUS HINGES )

**NORWOOD SP.ZO.O.**

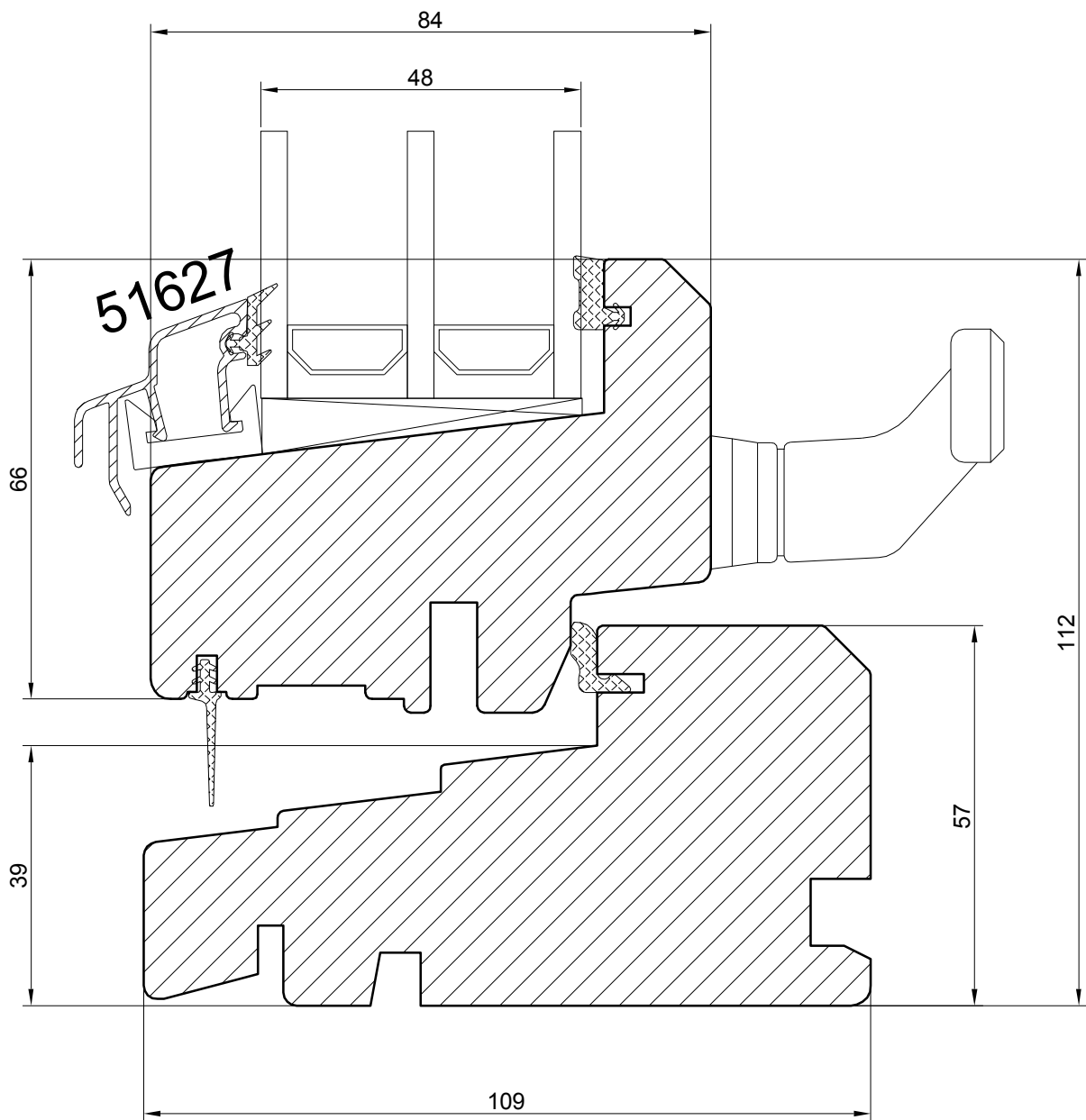
Ul. Rataja 6, Rusocin  
83-031 Łęgowo  
+48 692 22 00  
biuro@norwood.pl

Description **HTSOP N109 FULLY REVERSIBLE WINDOW  
SILL SECTION (40 mm glass)**

Revis.	Date	Size	1:1	Drw.	Date	02.01.2018
--------	------	------	-----	------	------	------------

Verif.	Date	Drawing no.	HTSOP - 40 - sl - 01
--------	------	-------------	----------------------





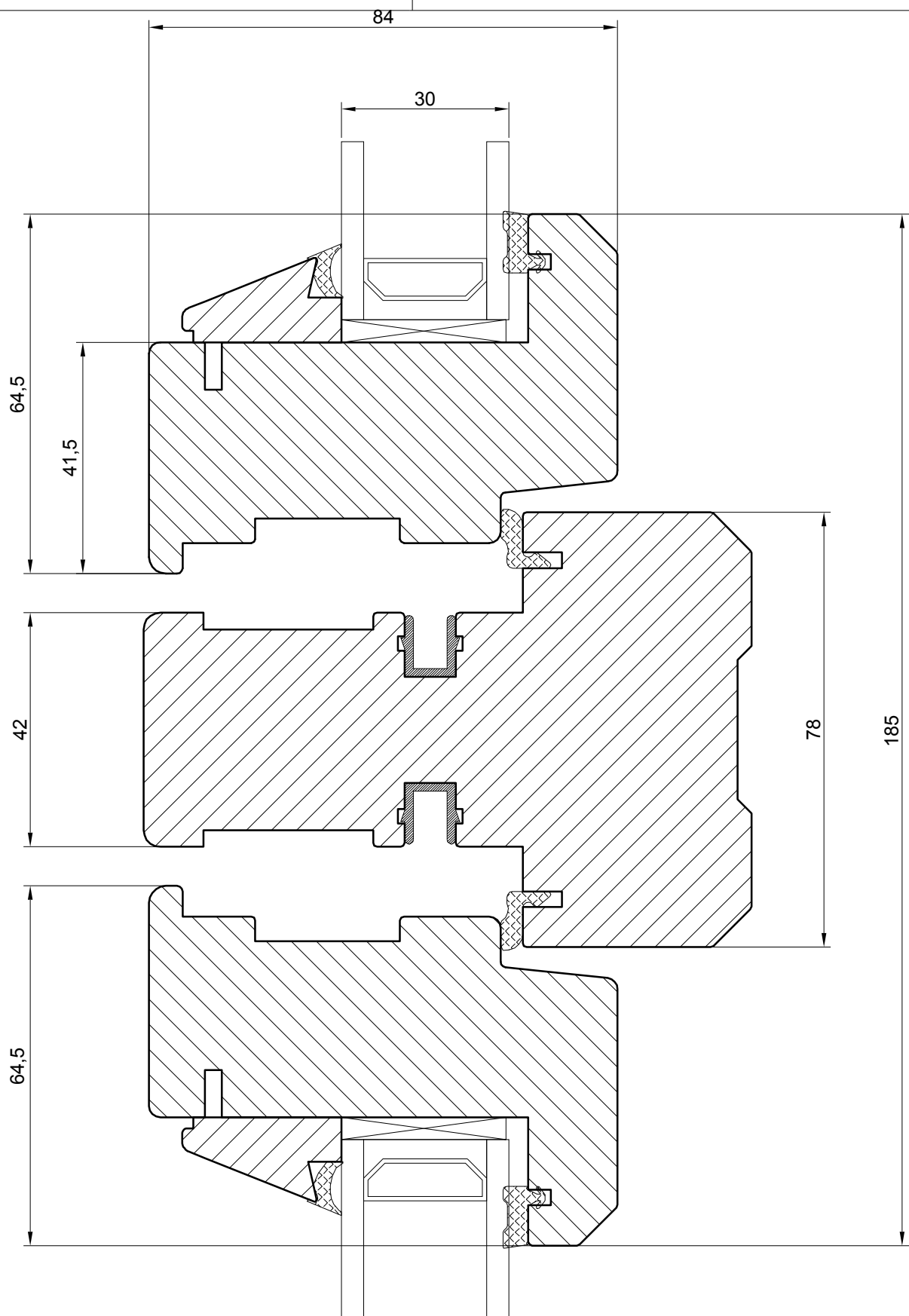
**FULLY REVERSIBLE PASSIVE WINDOW ( OPUS HINGES )**

**NORWOOD SP.ZO.O.**

Ul. Rataja 6, Rusocin  
 83-031 Łęgowo  
 +48 692 22 00  
 biuro@norwood.pl

Description **HTSOP N109 FULLY REVERSIBLE WINDOW  
 SILL SECTION (48 mm glass)**

Revis.	Date	Size	1:1	Drw.	Date	02.01.2018
Verif.	Date	Drawing no. HTSOP - 48 - sl - 01				

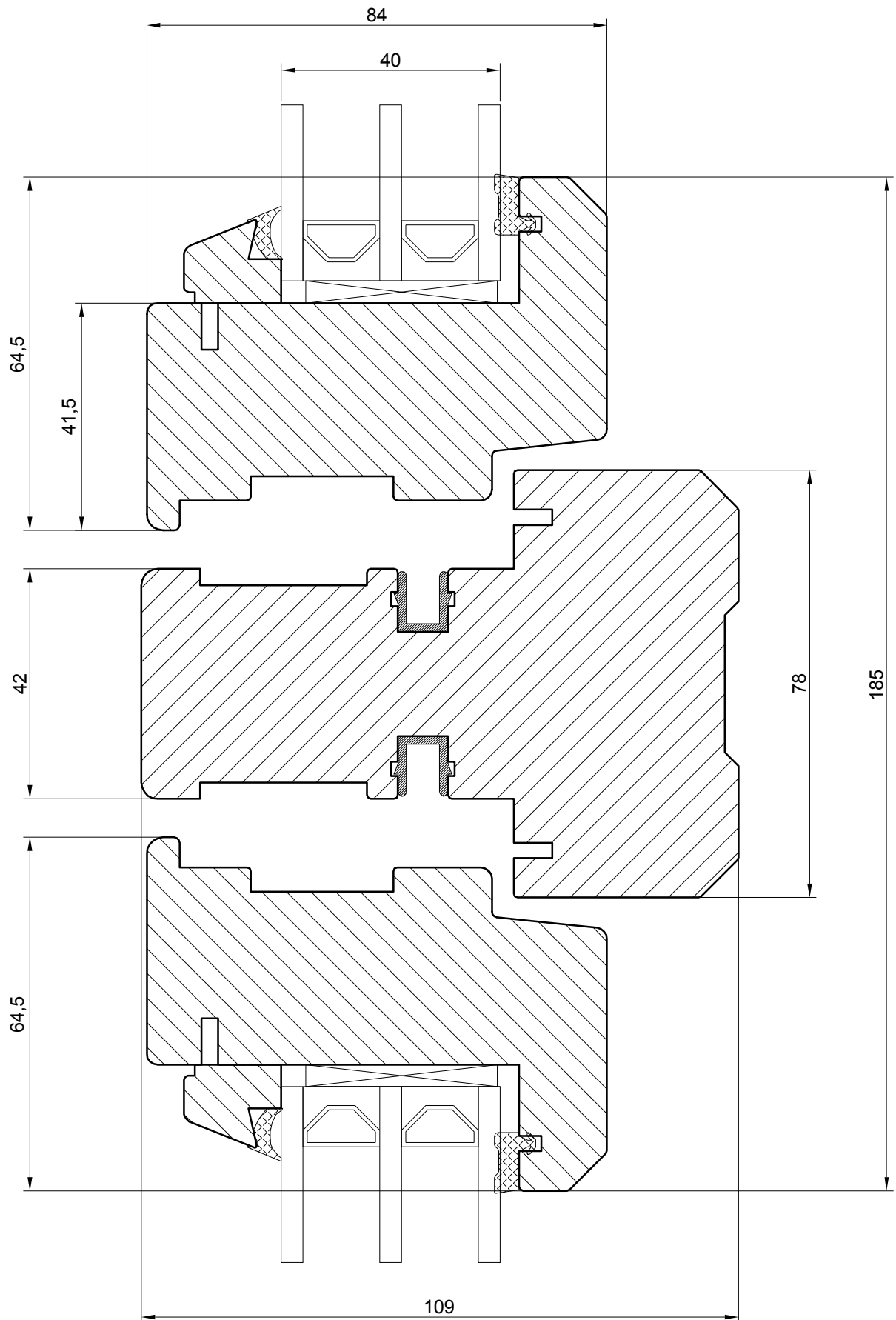


**FULLY REVERSIBLE PASSIVE WINDOW ( OPUS HINGES )**

**NORWOOD SP.ZO.O.**

Ul. Rataja 6, Rusocin  
83-031 Łęgowo  
+48 692 22 00  
biuro@norwood.pl

<i>Description</i>		<b>HTSOP N109 FULLY REVERSIBLE WINDOW</b>			
		<b>MULLION (30 mm glass)</b>			
<i>Revis.</i>	<i>Date</i>	<i>Size</i>	<i>Drw.</i>	<i>Date</i>	
		<b>1:1</b>		<b>02.01.2018</b>	
<i>Verif.</i>	<i>Date</i>	<i>Drawing no</i>			
		<b>HTSOP - 30 - ml - 01</b>			

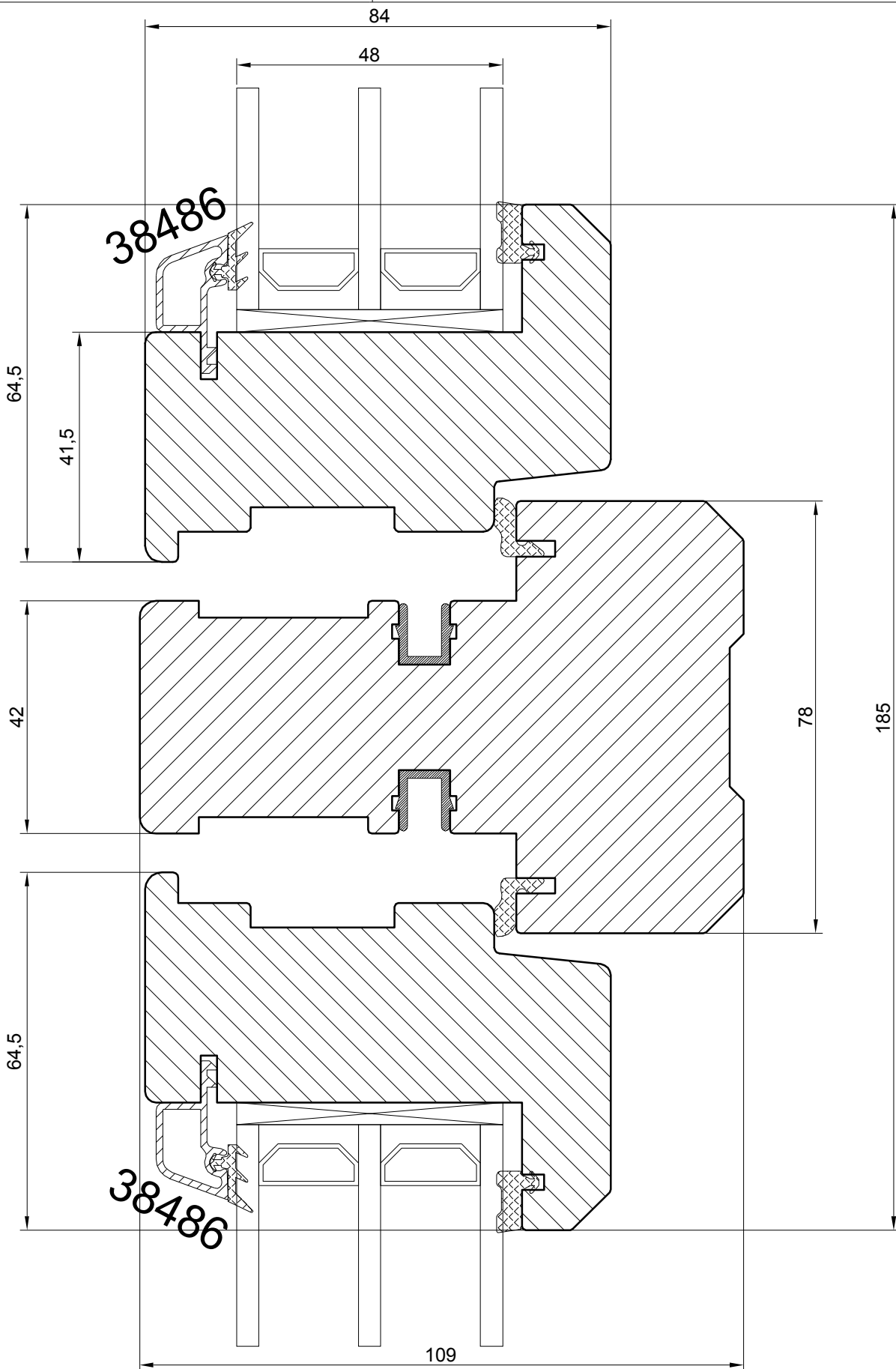


**FULLY REVERSIBLE PASSIVE WINDOW ( OPUS HINGES )**

**NORWOOD SP.ZO.O.**

Ul. Rataja 6, Rusocin  
83-031 Łęgowo  
+48 692 22 00  
biuro@norwood.pl

Description		HTSOP N109 FULLY REVERSIBLE WINDOW			
		MULLION (40 mm glass)			
Revis.	Date	Size	1:1	Drw.	Date
					02.01.2018
Verif.	Date	Drawing no HTSOP - 40 - ml - 01			



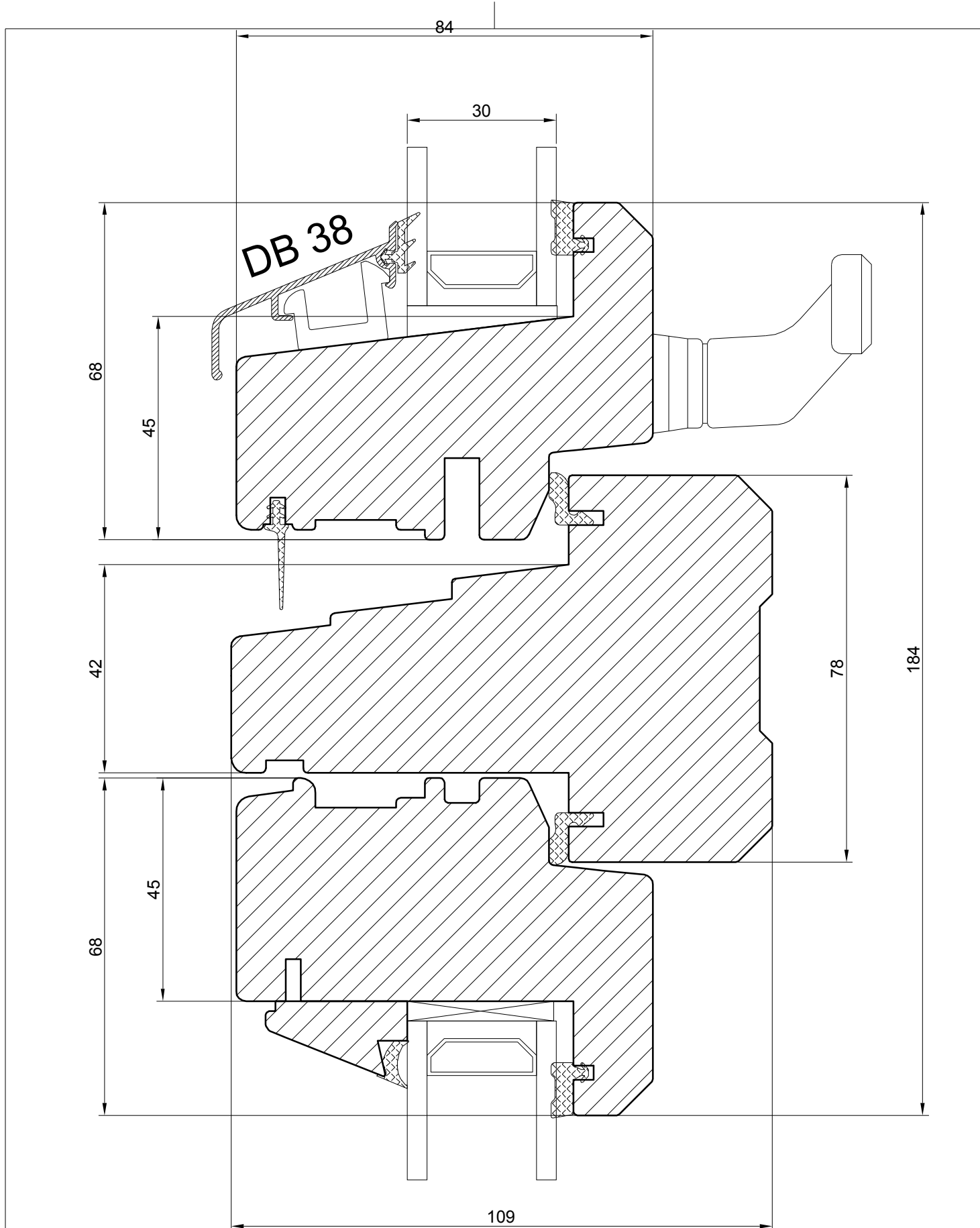
FULLY REVERSIBLE PASSIVE WINDOW ( OPUS HINGES )

**NORWOOD SP.ZO.O.**

Ul. Rataja 6, Rusocin  
83-031 Łęgowo  
+48 692 22 00  
biuro@norwood.pl

Description **HTSOP N109 FULLY REVERSIBLE WINDOW  
MULLION (48 mm glass)**

Revis.	Date	Size	1:1	Drw.	Date	02.01.2018
Verif.	Date	Drawing no				HTSOP - 48 - ml - 01



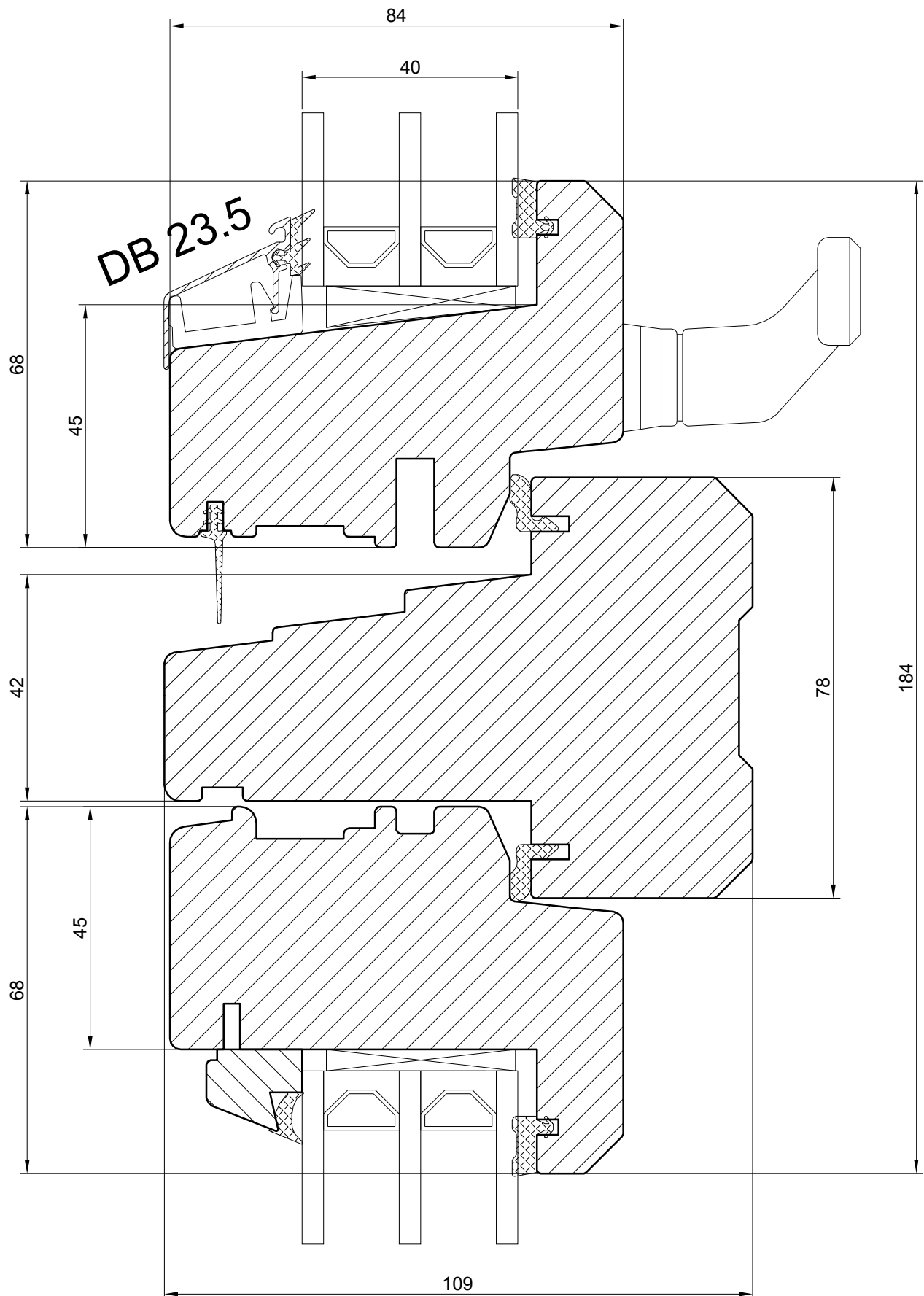
**FULLY REVERSIBLE PASSIVE WINDOW ( OPUS HINGES )**

**NORWOOD SP.ZO.O.**

Ul. Rataja 6, Rusocin  
83-031 Łęgowo  
+48 692 22 00  
biuro@norwood.pl

Description **HTSOP N109 FULLY REVERSIBLE WINDOW  
TRANSOM (30 mm glass)**

Revis.	Date	Size	1:1	Drw.	Date	02.01.2018
Verif.	Date	Drawing no.		HTSOP - 30 - ts - 01		

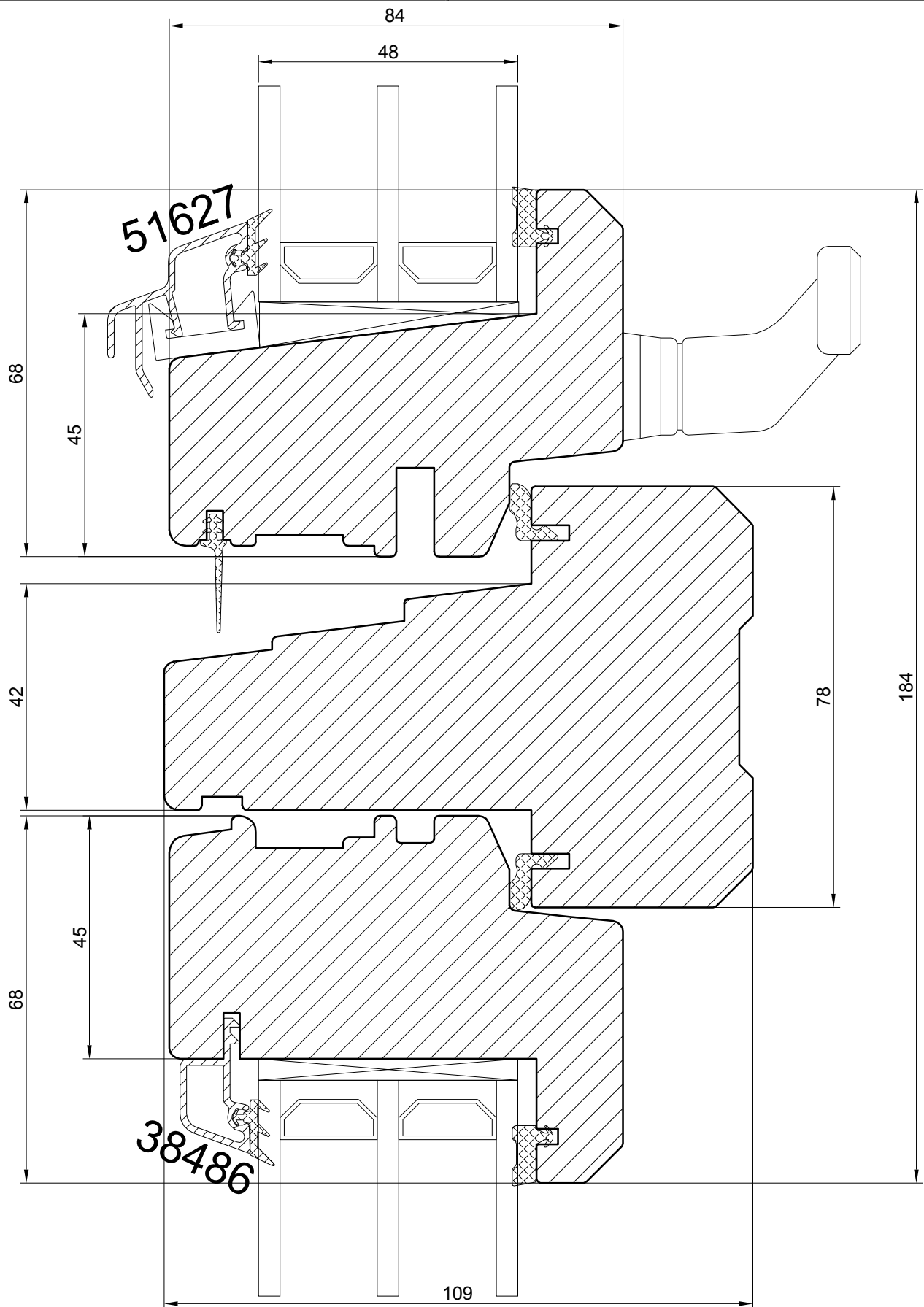


**FULLY REVERSIBLE PASSIVE WINDOW ( OPUS HINGES )**

**NORWOOD SP.ZO.O.**

Ul. Rataja 6, Rusocin  
83-031 Łęgowo  
+48 692 22 00  
biuro@norwood.pl

Description		<b>HTSOP N109 FULLY REVERSIBLE WINDOW TRANSOM (40 mm glass)</b>			
Revis.	Date	Size	1:1	Drw.	Date
Verif.	Date	Drawing no. HTSOP - 40 - ts - 01			
					02.01.2018

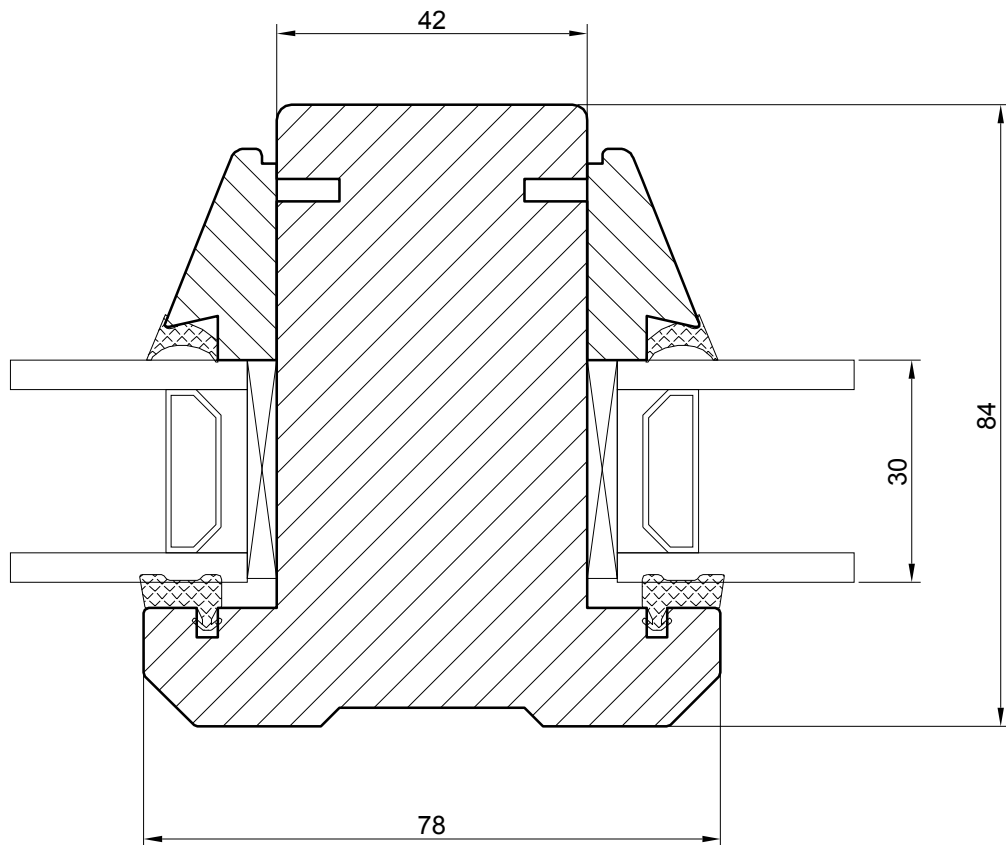


**FULLY REVERSIBLE PASSIVE WINDOW ( OPUS HINGES )**

**NORWOOD SP.ZO.O.**

Ul. Rataja 6, Rusocin  
83-031 Łęgowo  
+48 692 22 00  
biuro@norwood.pl

Description		HTSOP N109 FULLY REVERSIBLE WINDOW TRANSOM (48 mm glass)			
Revis.	Date	Size	1:1	Drw.	Date
Verif.	Date	Drawing no. HTSOP - 48 - ts - 01			
					02.01.2018



**FULLY REVERSIBLE PASSIVE WINDOW ( OPUS HINGES )**

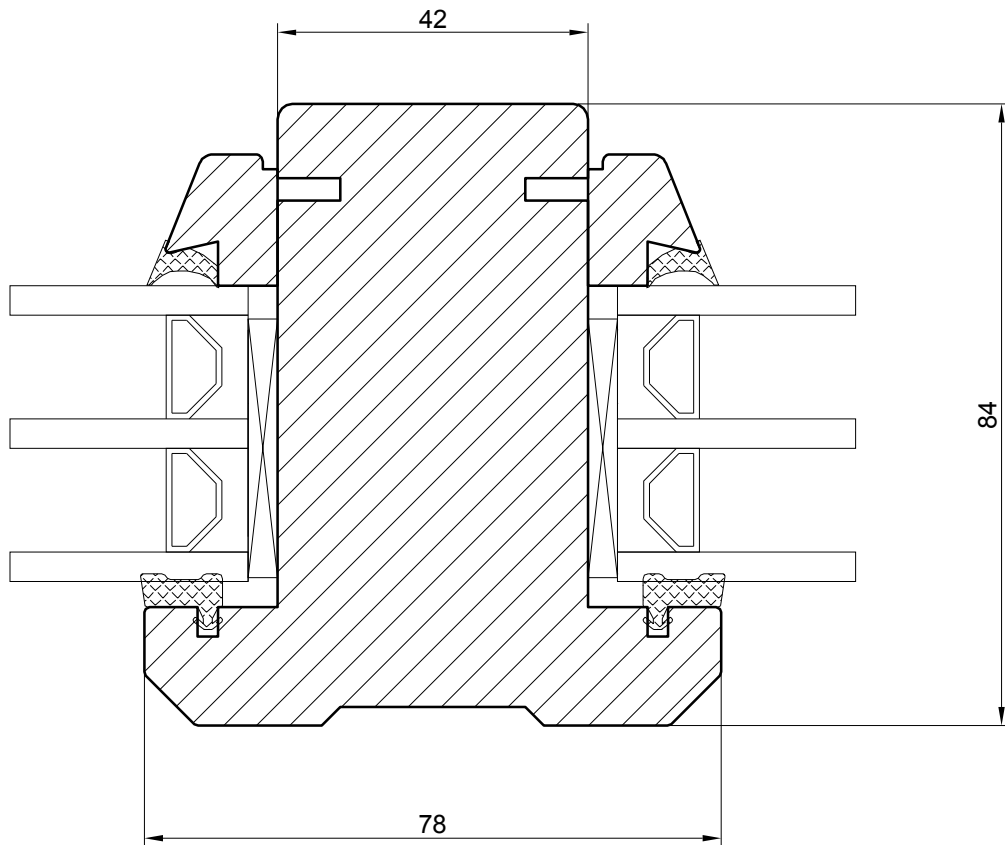
**NORWOOD SP.ZO.O.**

Ul. Rataja 6, Rusocin  
83-031 Łęgowo  
+48 692 22 00  
biuro@norwood.pl

*Description* **HTSOP N109 FULLY REVERSIBLE WINDOW  
VERTICAL BAR (30 mm glass)**

<i>Revis.</i>	<i>Date</i>	<i>Size</i> <b>1:1</b>	<i>Drw.</i>	<i>Date</i> <b>02.01.2018</b>
<i>Verif.</i>	<i>Date</i>	<i>Drawing no.</i>	<b>HTSOP - 30 - vs78 - 01</b>	



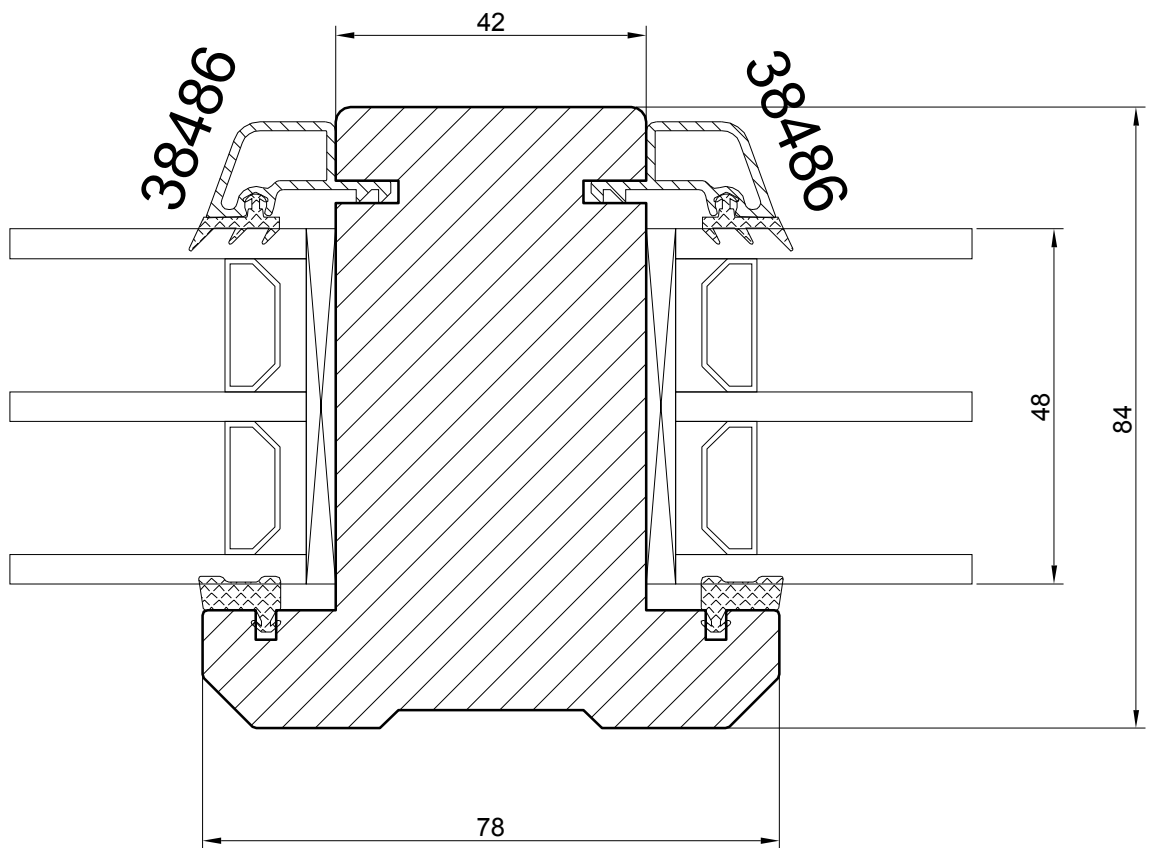


**FULLY REVERSIBLE PASSIVE WINDOW ( OPUS HINGES )**

**NORWOOD SP.ZO.O.**

Ul. Rataja 6, Rusocin  
83-031 Łęgowo  
+48 692 22 00  
biuro@norwood.pl

<i>Description</i>		<b>HTSOP N109 FULLY REVERSIBLE WINDOW</b>			
		<b>VERTICAL BAR (40 mm glass)</b>			
<i>Revis.</i>	<i>Date</i>	<i>Size</i>	<i>Drw.</i>	<i>Date</i>	
		<b>1:1</b>		<b>02.01.2018</b>	
<i>Verif.</i>	<i>Date</i>	<i>Drawing no.</i>			
		<b>HTSOP - 40 - vs78 - 01</b>			

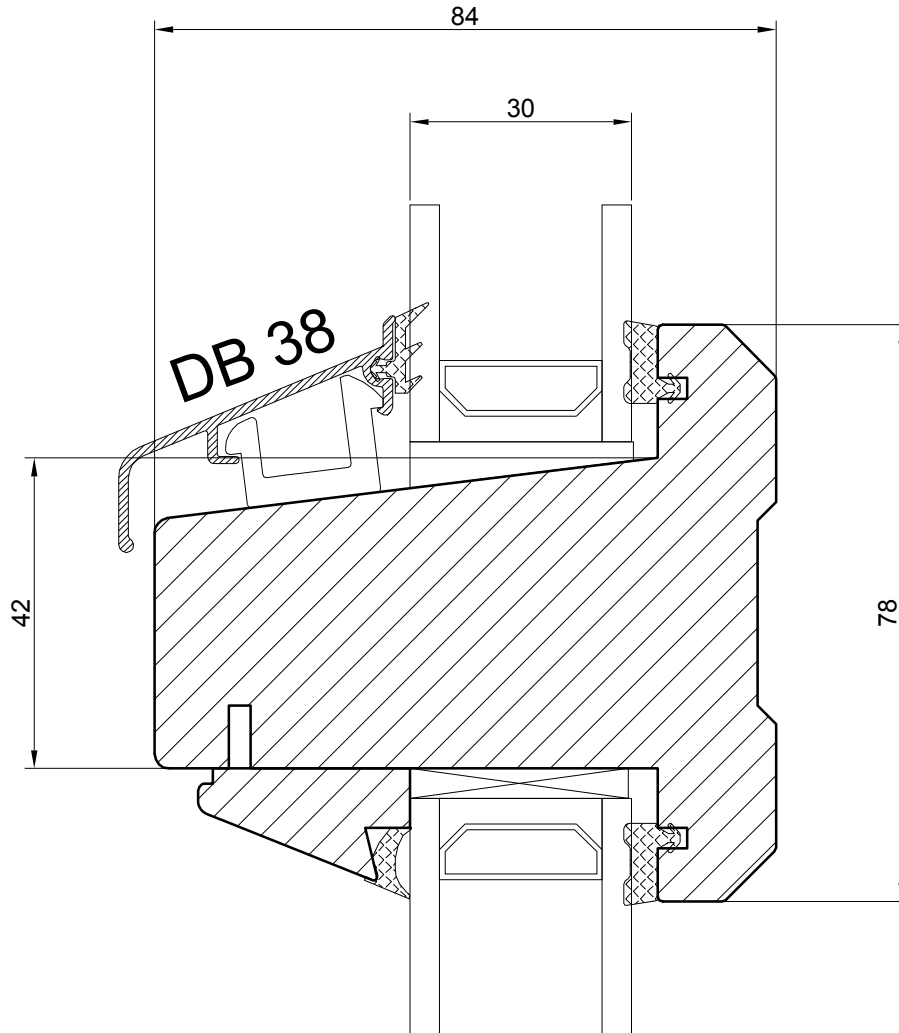


**FULLY REVERSIBLE PASSIVE WINDOW ( OPUS HINGES )**

**NORWOOD SP.ZO.O.**

Ul. Rataja 6, Rusocin  
 83-031 Łęgowo  
 +48 692 22 00  
 biuro@norwood.pl

<i>Description</i>		<b>HTSOP N109 FULLY REVERSIBLE WINDOW</b>			
		<b>VERTICAL BAR (48 mm glass)</b>			
<i>Revis.</i>	<i>Date</i>	<i>Size</i>	<i>Drw.</i>	<i>Date</i>	
		1 : 1		02.01.2018	
<i>Verif.</i>	<i>Date</i>	<i>Drawing no.</i>			
		HTSOP - 48 - vs78 - 01			

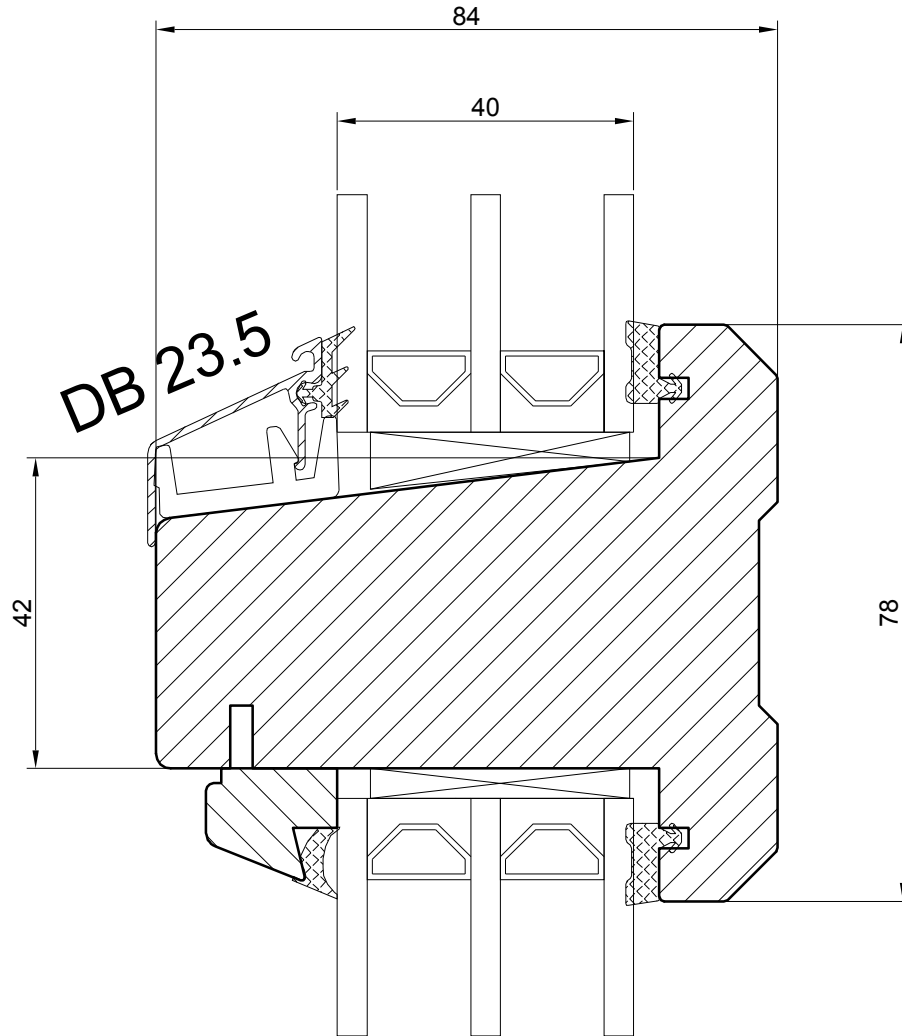


**FULLY REVERSIBLE PASSIVE WINDOW ( OPUS HINGES )**

**NORWOOD SP.ZO.O.**

Ul. Rataja 6, Rusocin  
83-031 Łęgowo  
+48 692 22 00  
biuro@norwood.pl

<i>Description</i>		<b>HTSOP N109 FULLY REVERSIBLE WINDOW HORIZONTAL BAR (30 mm glass)</b>			
<i>Revis.</i>	<i>Date</i>	<i>Size</i>	<i>Drw.</i>	<i>Date</i>	
		<b>1:1</b>		<b>02.01.2018</b>	
<i>Verif.</i>	<i>Date</i>	<i>Drawing no.</i>			
		<b>HTSOP - 30 - hs78 - 01</b>			

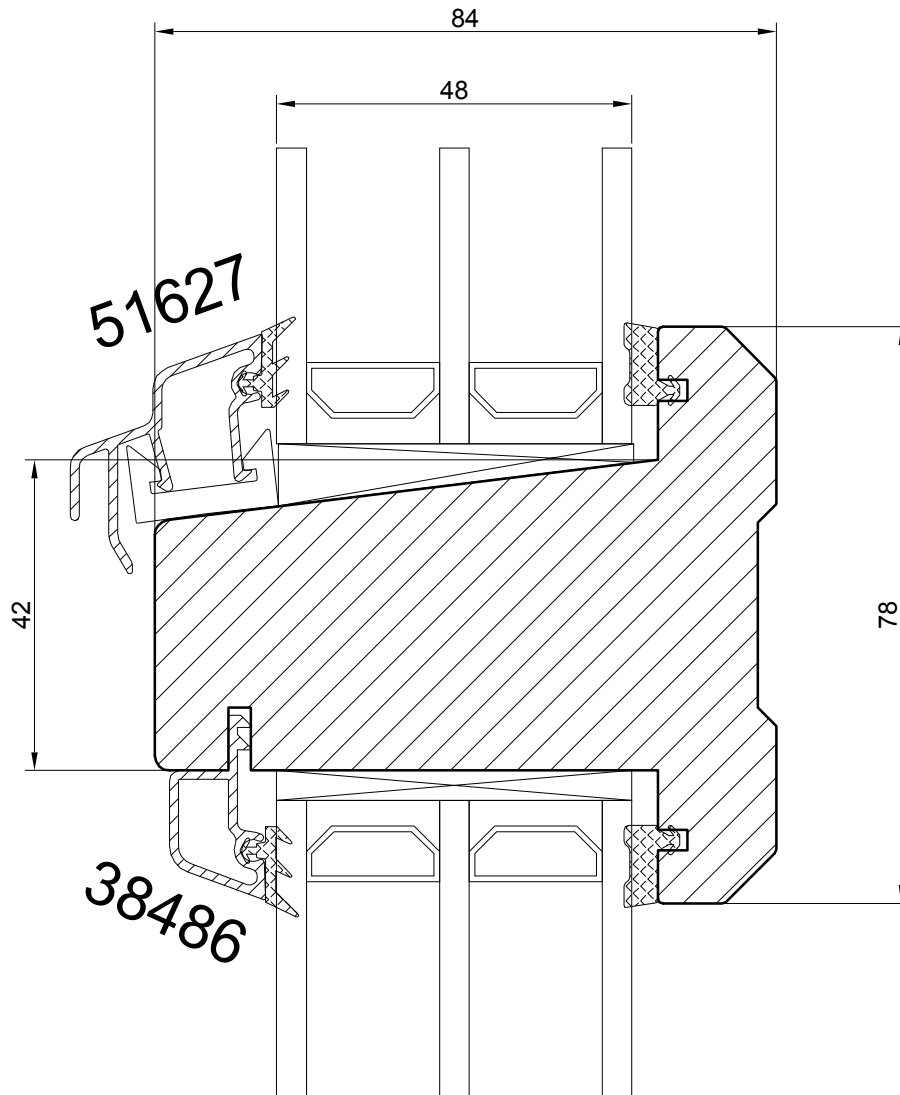


**FULLY REVERSIBLE PASSIVE WINDOW ( OPUS HINGES )**

**NORWOOD SP.ZO.O.**

Ul. Rataja 6, Rusocin  
83-031 Łęgowo  
+48 692 22 00  
biuro@norwood.pl

<i>Description</i>		<b>HTSOP N109 FULLY REVERSIBLE WINDOW HORIZONTAL BAR (40 mm glass)</b>			
<i>Revis.</i>	<i>Date</i>	<i>Size</i>	<i>Drw.</i>	<i>Date</i>	
		<b>1:1</b>		<b>02.01.2018</b>	
<i>Verif.</i>	<i>Date</i>	<i>Drawing no.</i>			
		<b>HTSOP - 40 - hs78 - 01</b>			



**FULLY REVERSIBLE PASSIVE WINDOW ( OPUS HINGES )**

**NORWOOD SP.ZO.O.**

Ul. Rataja 6, Rusocin  
83-031 Łęgowo  
+48 692 22 00  
biuro@norwood.pl

Description **HTSOP N109 FULLY REVERSIBLE WINDOW  
HORIZONTAL BAR (48 mm glass)**

Revis.	Date	Size	1:1	Drw.	Date	02.01.2018
Verif.	Date	Drawing no.	HTSOP - 48 - hs78 - 01			