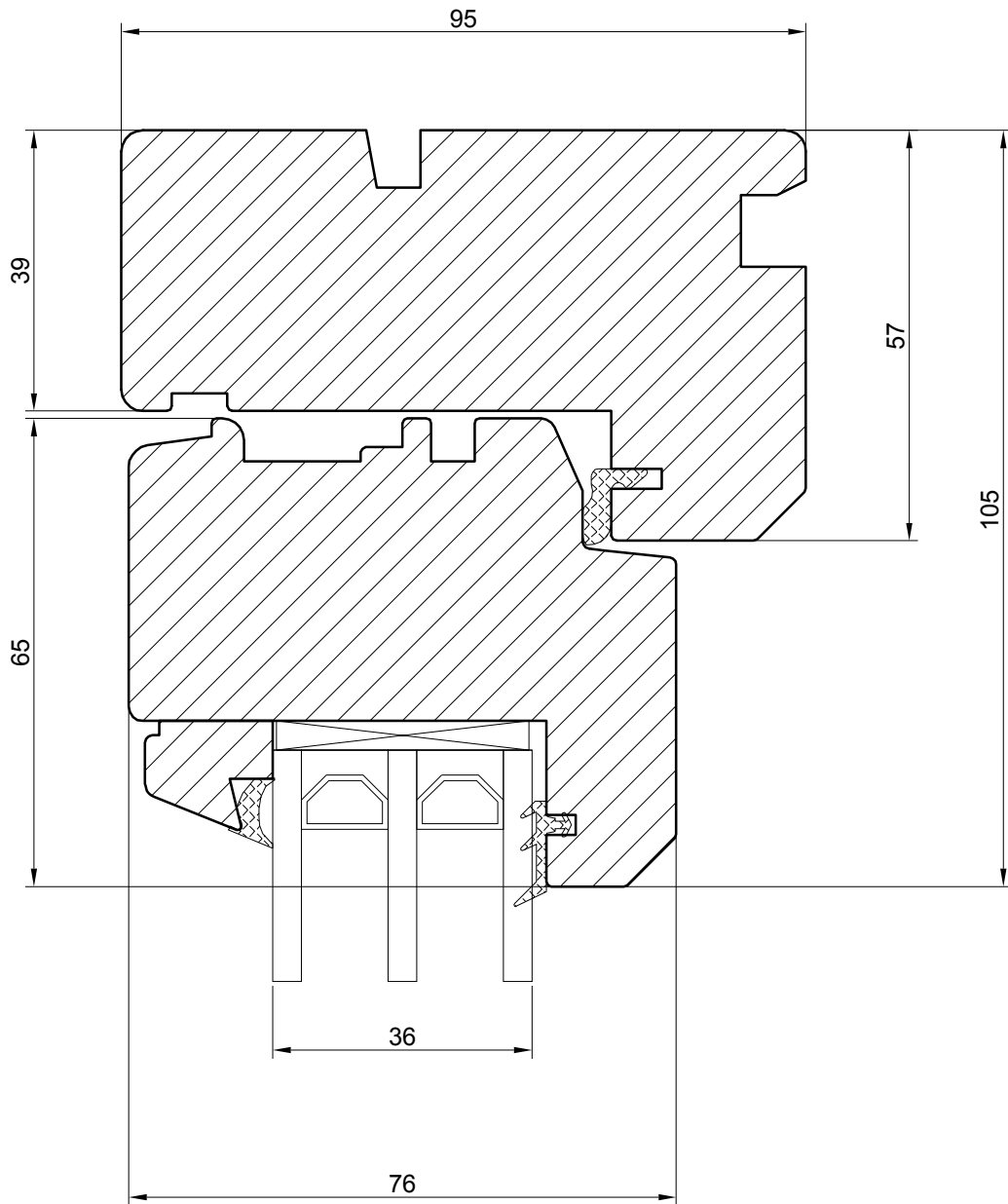


FULLY REVERSIBLE WINDOW (OPUS HINGES)

NORWOOD SP.ZO.O.

Ul. Rataja 6, Rusocin
83-031 Łęgowo
+48 692 22 00
biuro@norwood.pl

<i>Description</i>		HTSO N95 FULLY REVERSIBLE WINDOW HEAD SECTION (24 mm glass)			
<i>Revis.</i>	<i>Date</i>	<i>Size</i>	<i>Drw.</i>	<i>Date</i>	
		1:1		02.01.2018	
<i>Verif.</i>	<i>Date</i>	<i>Drawing no.</i>			
		HTSO - 24 - he - 01			



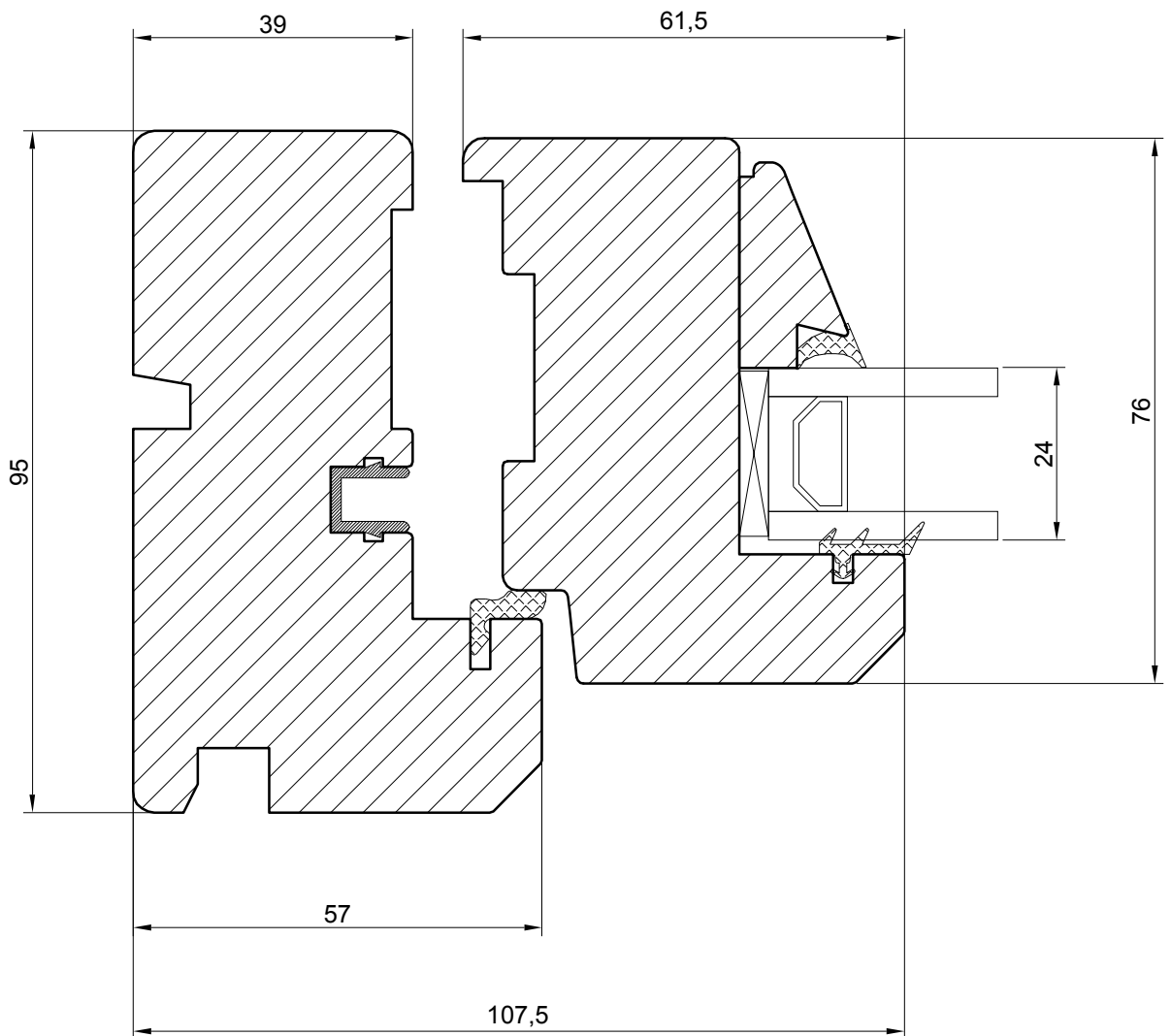
FULLY REVERSIBLE WINDOW (OPUS HINGES)

NORWOOD SP.ZO.O.

Ul. Rataja 6, Rusocin
83-031 Łęgowo
+48 692 22 00
biuro@norwood.pl

Description **HTSO N95 FULLY REVERSIBLE WINDOW
HEAD SECTION (36 mm glass)**

<i>Revis.</i>	<i>Date</i>	<i>Size</i> 1:1	<i>Drw.</i>	<i>Date</i> 02.01.2018
<i>Verif.</i>	<i>Date</i>	<i>Drawing no.</i> HTSO - 36 - he - 01		



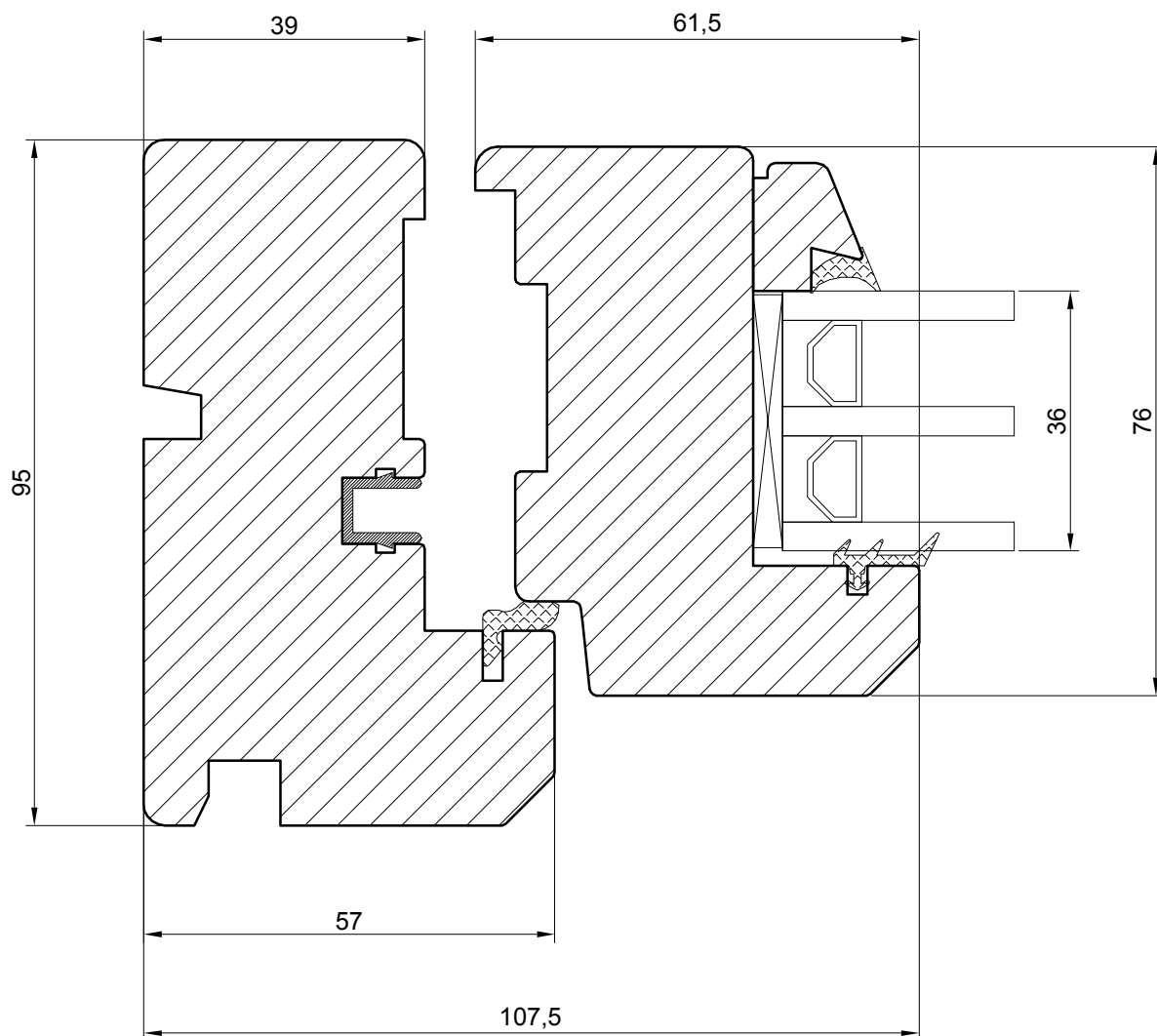
FULLY REVERSIBLE WINDOW (OPUS HINGES)

NORWOOD SP.ZO.O.

Ul. Rataja 6, Rusocin
 83-031 Łęgowo
 +48 692 22 00
 biuro@norwood.pl

Description **HTSO N95 FULLY REVERSIBLE WINDOW
 JAMB SECTION (24 mm glass)**

<i>Revis.</i>	<i>Date</i>	<i>Size</i> 1:1	<i>Drw.</i>	<i>Date</i> 02.01.2018
<i>Verif.</i>	<i>Date</i>	<i>Drawing no.</i> HTSO - 24 - se - 01		



FULLY REVERSIBLE WINDOW (OPUS HINGES)

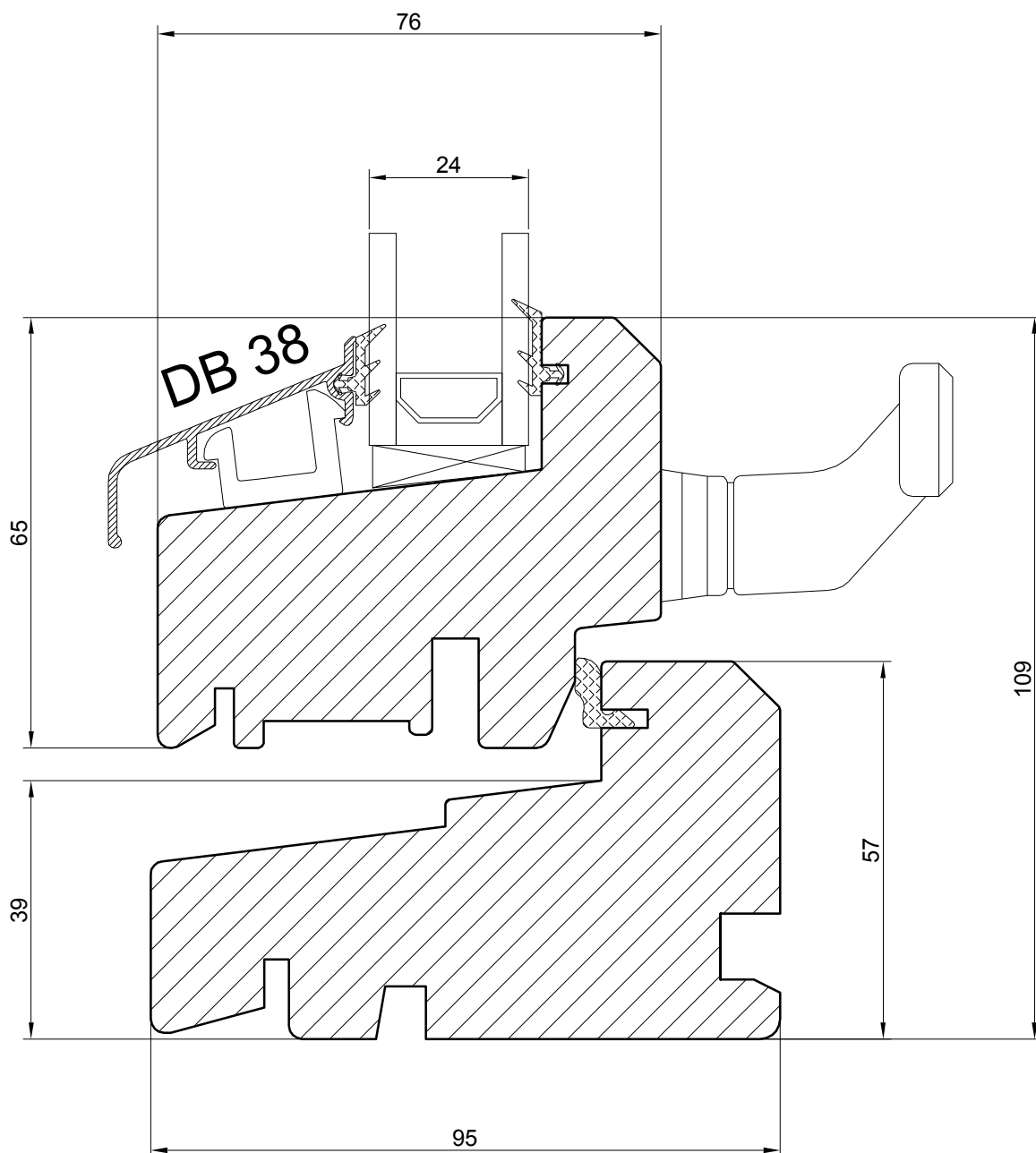
NORWOOD SP.ZO.O.

Ul. Rataja 6, Rusocin
83-031 Łęgowo
+48 692 22 00
biuro@norwood.pl

Opis

**HTSO N95 FULLY REVERSIBLE WINDOW
JAMB SECTION (36 mm glass)**

<i>Revis.</i>	<i>Date</i>	<i>Size</i> 1:1	<i>Drw.</i>	<i>Date</i> 02.01.2018
<i>Verif.</i>	<i>Date</i>	<i>Drawing no.</i> HTSO - 36 - se - 01		



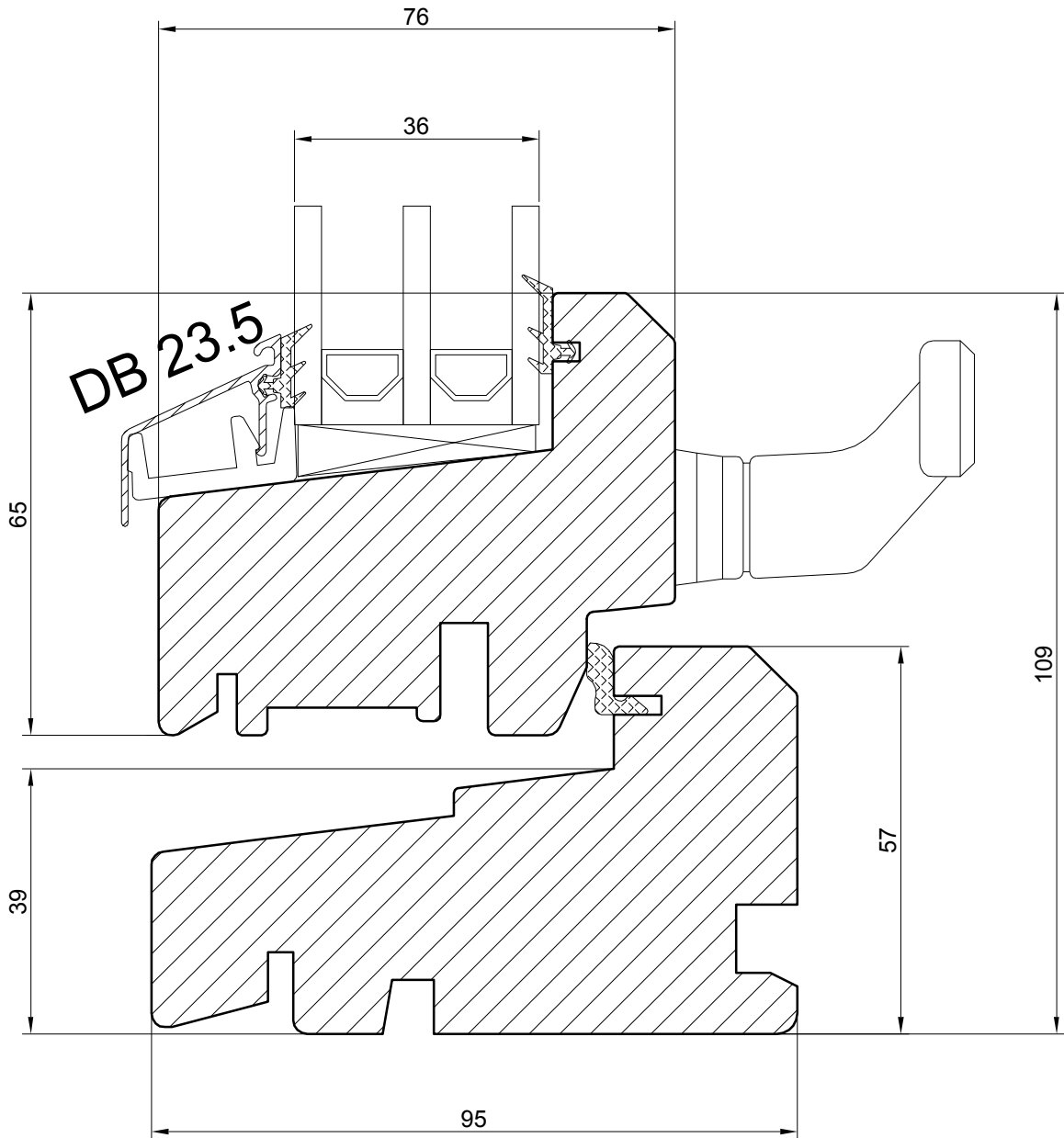
FULLY REVERSIBLE WINDOW (OPUS HINGES)

NORWOOD SP.ZO.O.

Ul. Rataja 6, Rusocin
83-031 Łęgowo
+48 692 22 00
biuro@norwood.pl

Description **HTSO N95 FULLY REVERSIBLE WINDOW
SILL SECTION (24 mm glass)**

Revis.	Date	Size	1:1	Drw.	Date	02.01.2018
Verif.	Date	Drawing no.	HTSO - 24 - sl - 01			



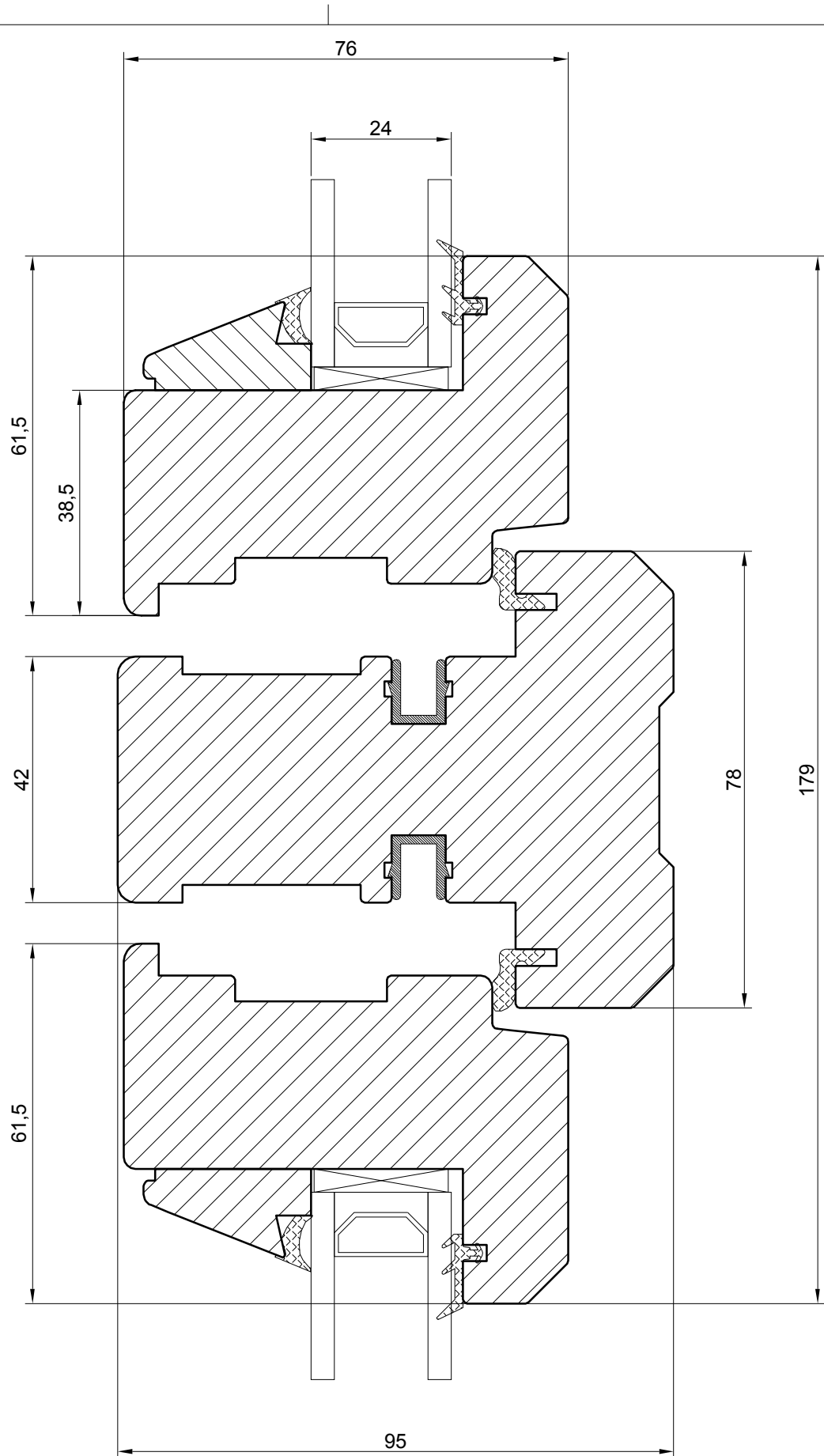
FULLY REVERSIBLE WINDOW (OPUS HINGES)

NORWOOD SP.ZO.O.

Ul. Rataja 6, Rusocin
 83-031 Łęgowo
 +48 692 22 00
 biuro@norwood.pl

Description **HTSO N95 FULLY REVERSIBLE WINDOW
 SILL SECTION (36 mm glass)**

<i>Revis.</i>	<i>Date</i>	<i>Size</i> 1:1	<i>Drw.</i>	<i>Date</i> 02.01.2018
<i>Verif.</i>	<i>Date</i>	<i>Drawing no.</i> HTSO - 36 - sl - 01		



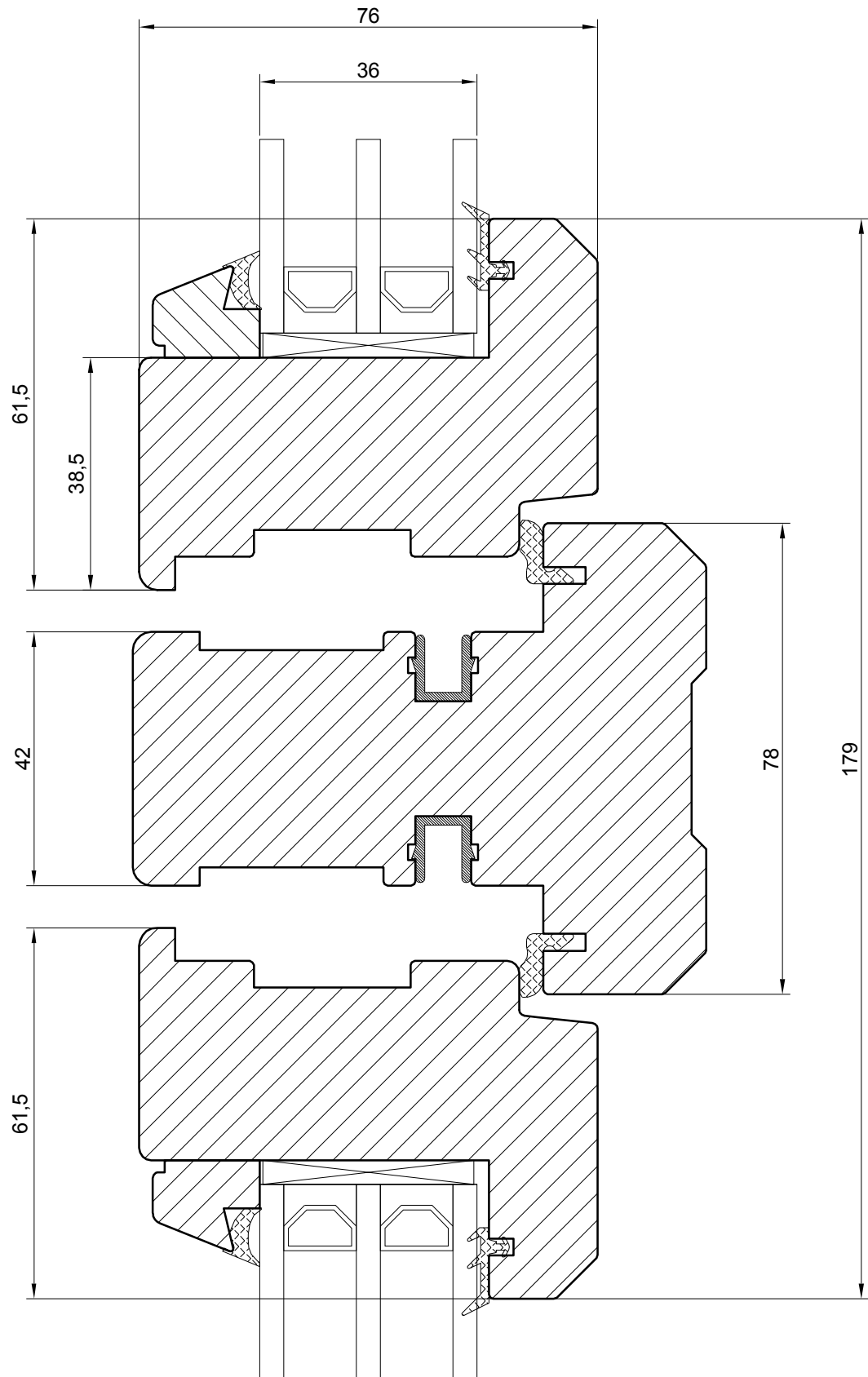
FULLY REVERSIBLE WINDOW (OPUS HINGES)

NORWOOD SP.ZO.O.

Ul. Rataja 6, Rusocin
83-031 Łęgowo
+48 692 22 00
biuro@norwood.pl

Description **HTSO N95 FULLY REVERSIBLE WINDOW
MULLION (24 mm glass)**

Revis.	Date	Size	1:1	Drw.	Date	02.01.2018
Verif.	Date	Drawing no. HTSO - 24 - ml - 01				

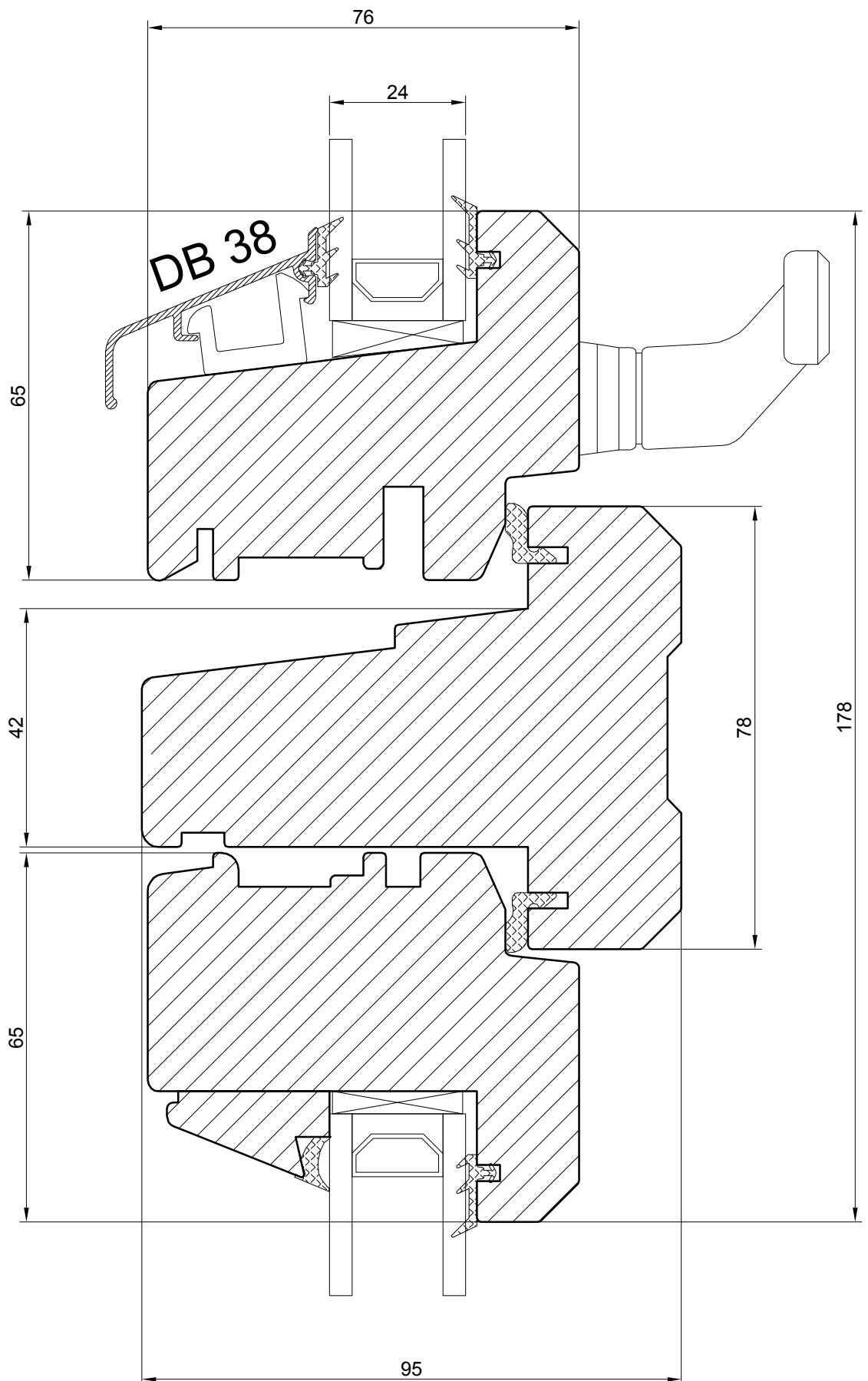


FULLY REVERSIBLE WINDOW (OPUS HINGES)

NORWOOD SP.ZO.O.

Ul. Rataja 6, Rusocin
83-031 Łęgowo
+48 692 22 00
biuro@norwood.pl

<i>Description</i>		HTSO N95 FULLY REVERSIBLE WINDOW			
		MULLION (36 mm glass)			
<i>Revis.</i>	<i>Date</i>	<i>Size</i>	<i>Drw.</i>	<i>Date</i>	
		1 : 1		02.01.2018	
<i>Verif.</i>	<i>Date</i>	<i>Drawing no.</i>			
		HTSO - 36 - ml - 01			



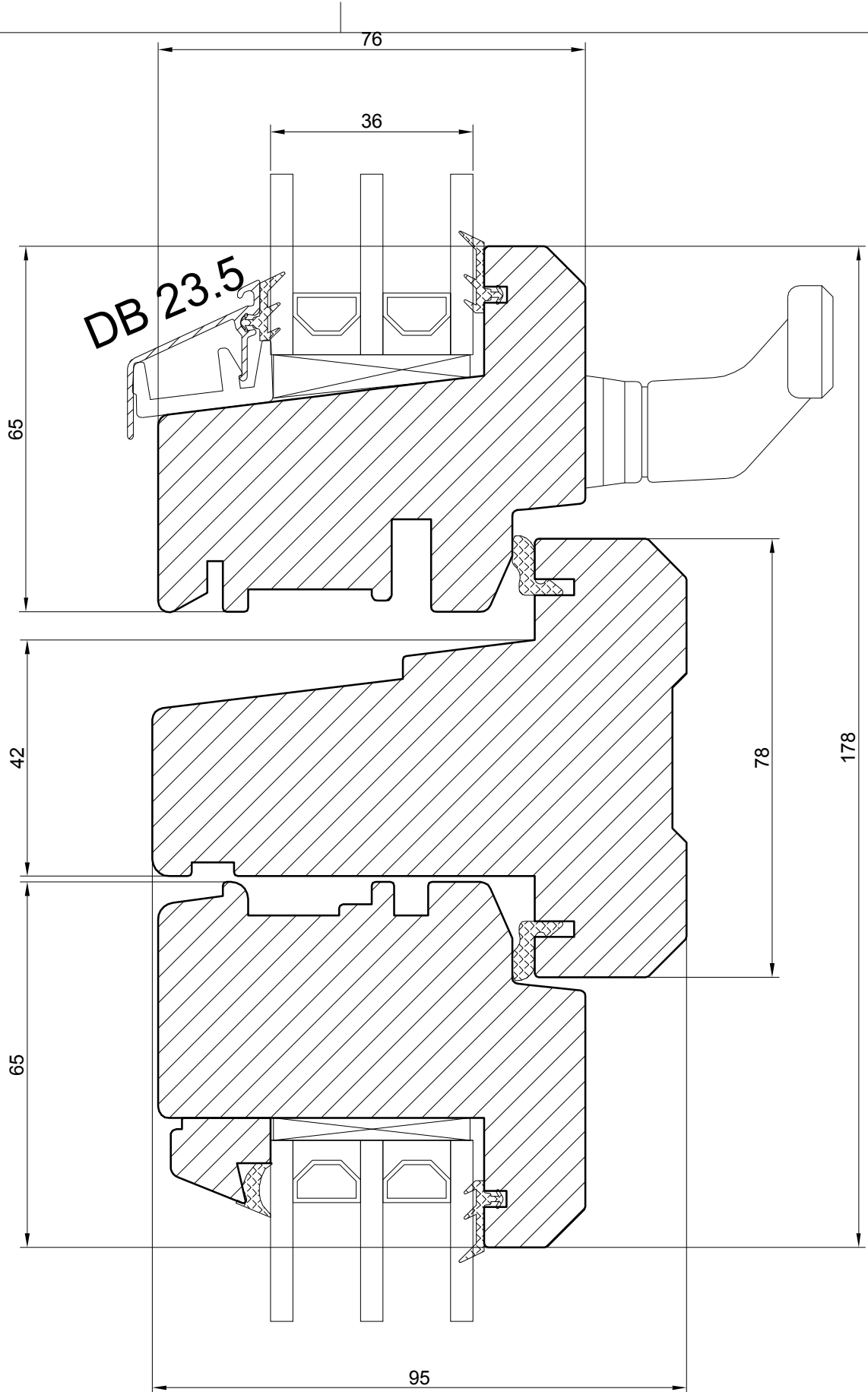
FULLY REVERSIBLE WINDOW (OPUS HINGES)

NORWOOD SP.ZO.O.

Ul. Rataja 6, Rusocin
83-031 Łęgowo
+48 692 22 00
biuro@norwood.pl

Description **HTSO N95 FULLY REVERSIBLE WINDOW
TRANSOM (24 mm glass)**

Revis.	Date	Size	1:1	Drw.	Date	02.01.2018
Verif.	Date	Drawing no.	HTSO - 24 - ts - 01			



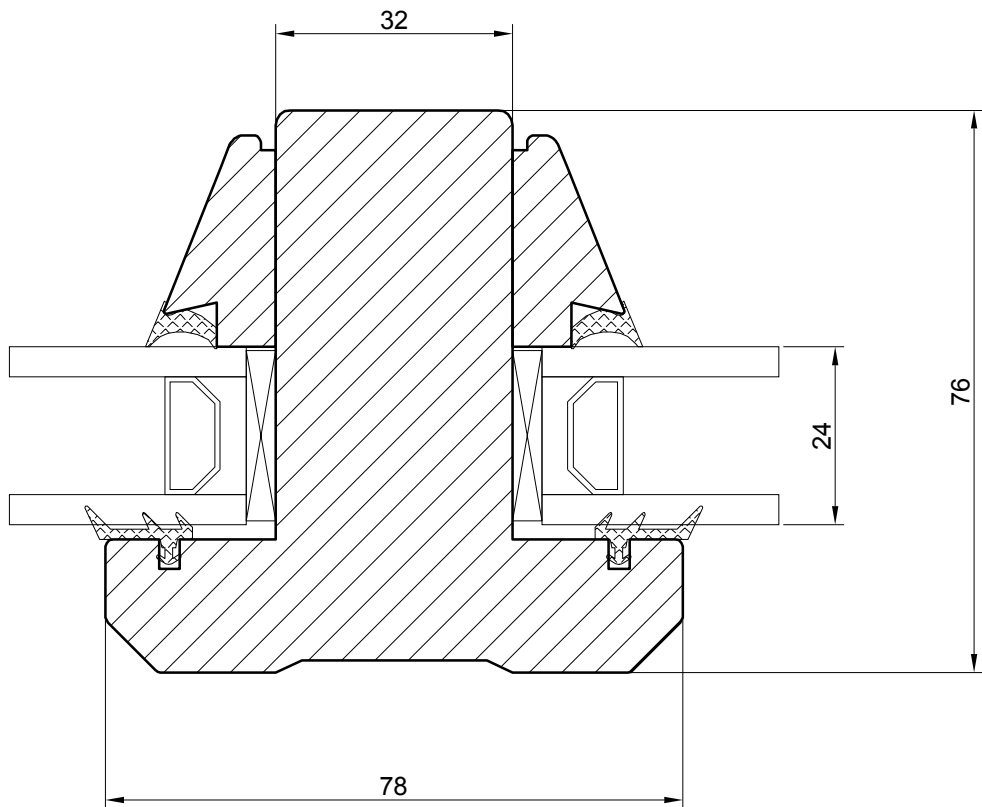
FULLY REVERSIBLE WINDOW (OPUS HINGES)

NORWOOD SP.ZO.O.

Ul. Rataja 6, Rusocin
83-031 Łęgowo
+48 692 22 00
biuro@norwood.pl

Description **HTSO N95 FULLY REVERSIBLE WINDOW
TRANSOM (36 mm glass)**

Revis.	Date	Size	1:1	Drw.	Date	02.01.2018
Verif.	Date	Drawing no.	HTSO - 36 - ts - 01			

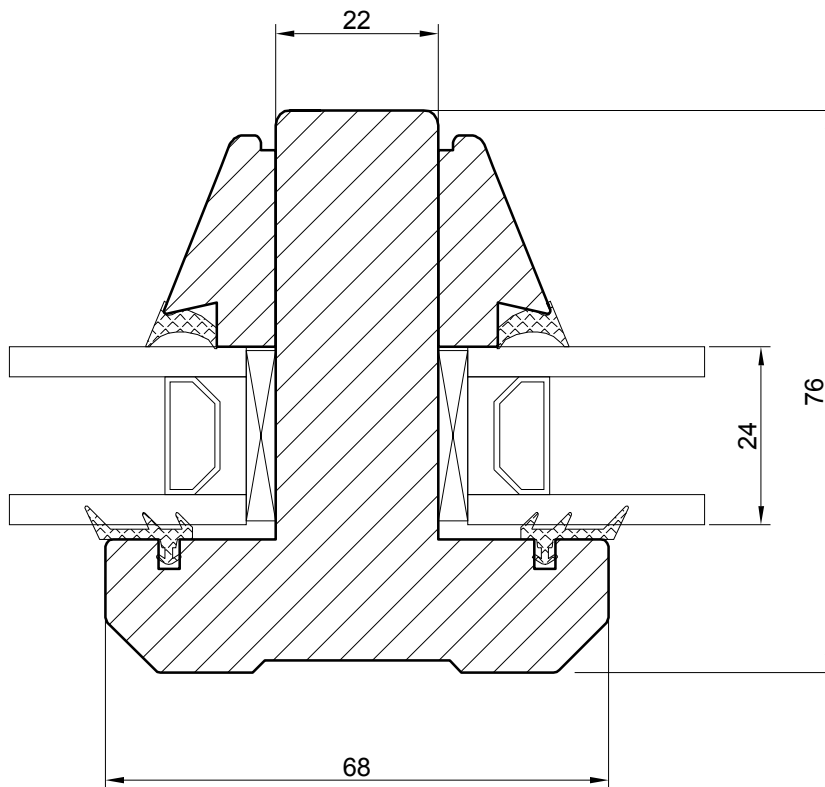


FULLY REVERSIBLE WINDOW (OPUS HINGES)

NORWOOD SP.ZO.O.

Ul. Rataja 6, Rusocin
83-031 Łęgowo
+48 692 22 00
biuro@norwood.pl

<i>Description</i>		HTSO N95 FULLY REVERSIBLE WINDOW			
		VERTICAL BAR 78 (24 mm glass)			
<i>Revis.</i>	<i>Date</i>	<i>Size</i>	<i>Drw.</i>	<i>Date</i>	
		1:1		02.01.2018	
<i>Verif.</i>	<i>Date</i>	<i>Drawing no.</i>			
		HTSO - 24 - vs78 - 01			



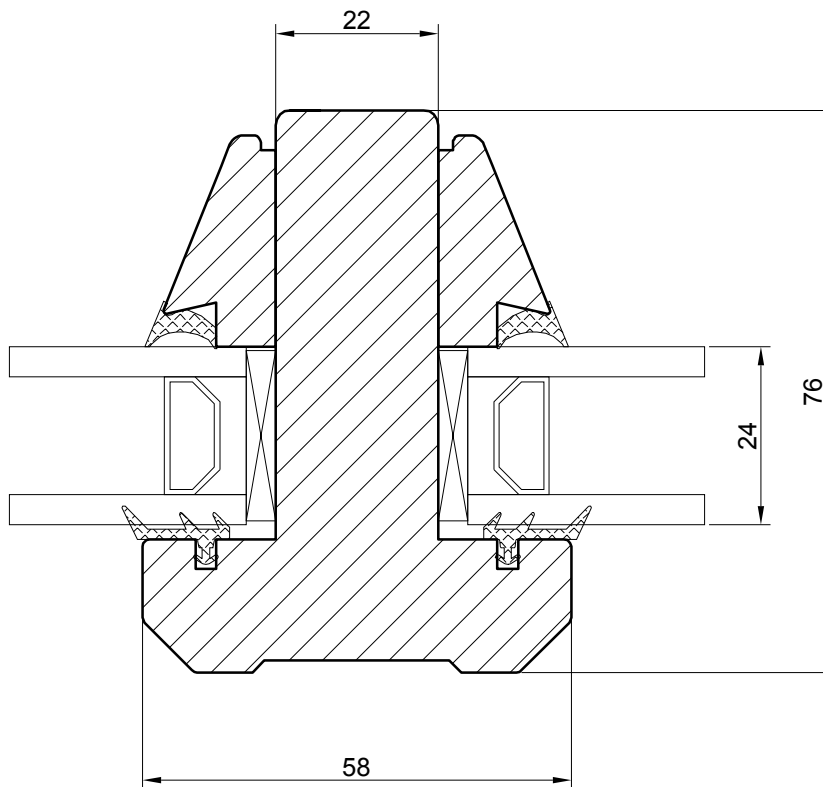
FULLY REVERSIBLE WINDOW (OPUS HINGES)

NORWOOD SP.ZO.O.

Ul. Rataja 6, Rusocin
83-031 Łęgowo
+48 692 22 00
biuro@norwood.pl

Description **HTSO N95 FULLY REVERSIBLE WINDOW
VERTICAL BAR 68 (24 mm glass)**

<i>Revis.</i>	<i>Date</i>	<i>Size</i> 1:1	<i>Drw.</i>	<i>Date</i> 02.01.2018
<i>Verif.</i>	<i>Date</i>	<i>Drawing no.</i> HTSO - 24 - vs68 - 01		



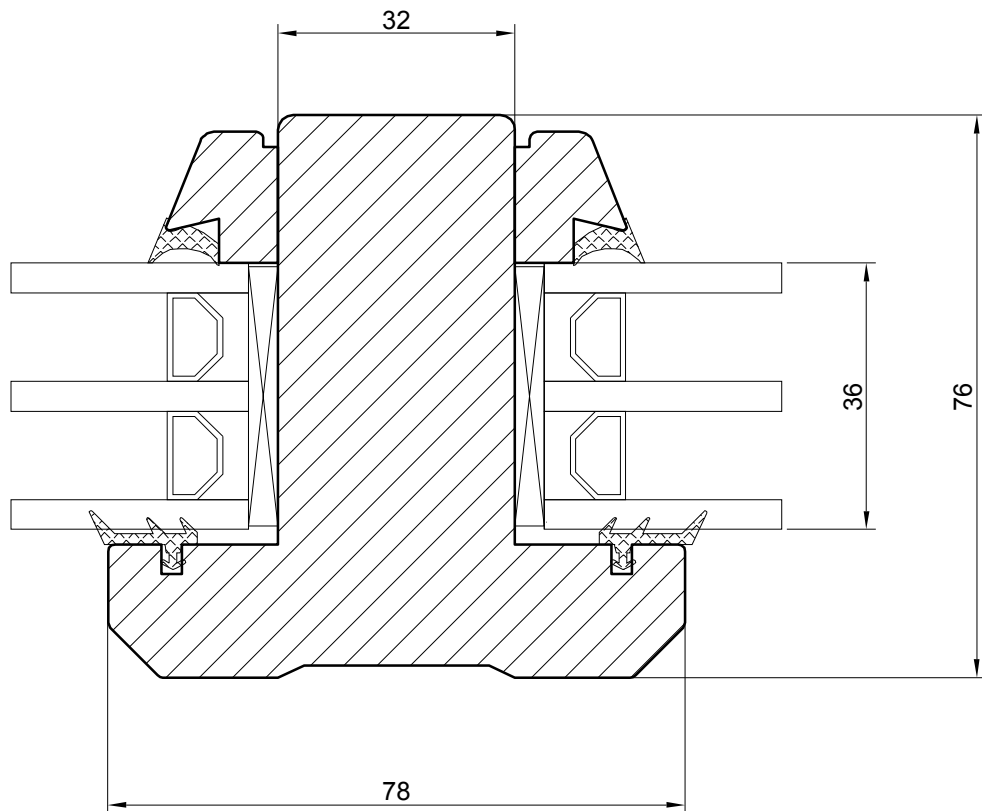
FULLY REVERSIBLE WINDOW (OPUS HINGES)

NORWOOD SP.ZO.O.

Ul. Rataja 6, Rusocin
83-031 Łęgowo
+48 692 22 00
biuro@norwood.pl

Description **HTSO N95 FULLY REVERSIBLE WINDOW
VERTICAL BAR 58 (24 mm glass)**

<i>Revis.</i>	<i>Date</i>	<i>Size</i> 1:1	<i>Drw.</i>	<i>Date</i> 02.01.2018
<i>Verif.</i>	<i>Date</i>	<i>Drawing no.</i> HTSO - 24 - vs58 - 01		



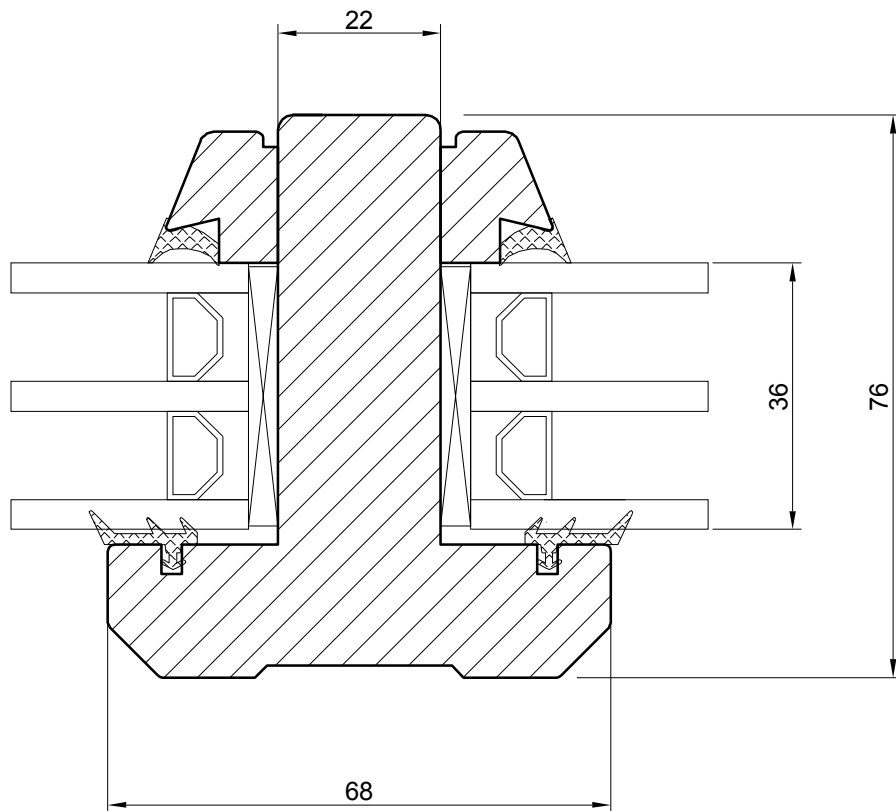
FULLY REVERSIBLE WINDOW (OPUS HINGES)

NORWOOD SP.ZO.O.

Ul. Rataja 6, Rusocin
83-031 Łęgowo
+48 692 22 00
biuro@norwood.pl

Description **HTSO N95 FULLY REVERSIBLE WINDOW**
VERTICAL BAR 78 (36 mm glass)

<i>Revis.</i>	<i>Date</i>	<i>Size</i> 1:1	<i>Drw.</i>	<i>Date</i> 02.01.2018
<i>Verif.</i>	<i>Date</i>	<i>Drawing no.</i> HTSO - 36 - vs78 - 01		



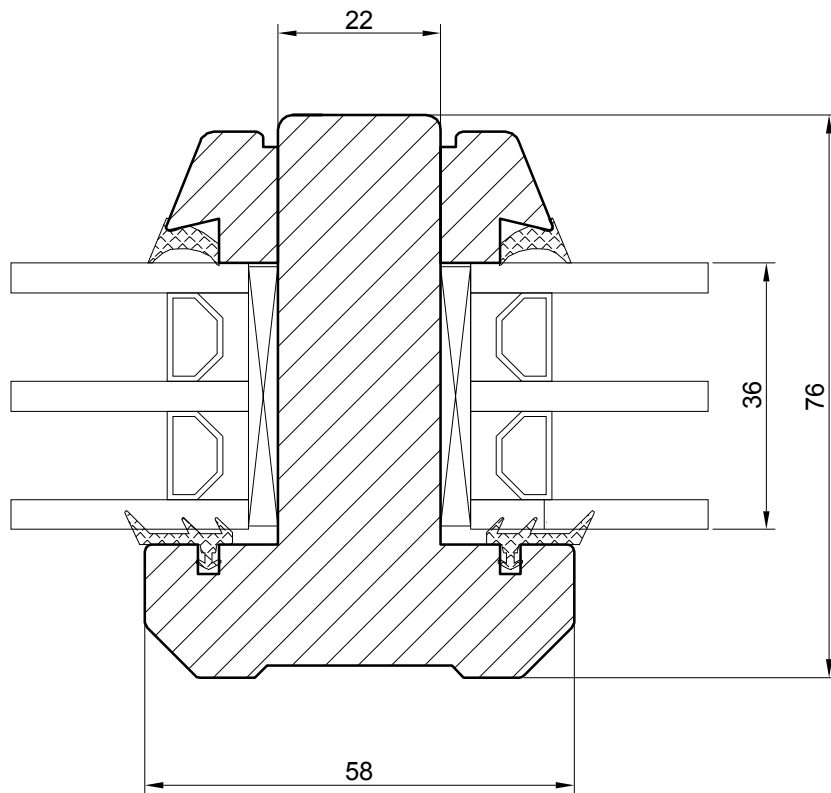
FULLY REVERSIBLE WINDOW (OPUS HINGES)

NORWOOD SP.ZO.O.

Ul. Rataja 6, Rusocin
83-031 Łęgowo
+48 692 22 00
biuro@norwood.pl

Description **HTSO N95 FULLY REVERSIBLE WINDOW**
VERTICAL BAR 68 (36 mm glass)

<i>Revis.</i>	<i>Date</i>	<i>Size</i> 1:1	<i>Drw.</i>	<i>Date</i> 02.01.2018
<i>Verif.</i>	<i>Date</i>	<i>Drawing no.</i> HTSO - 36 - vs68 - 01		



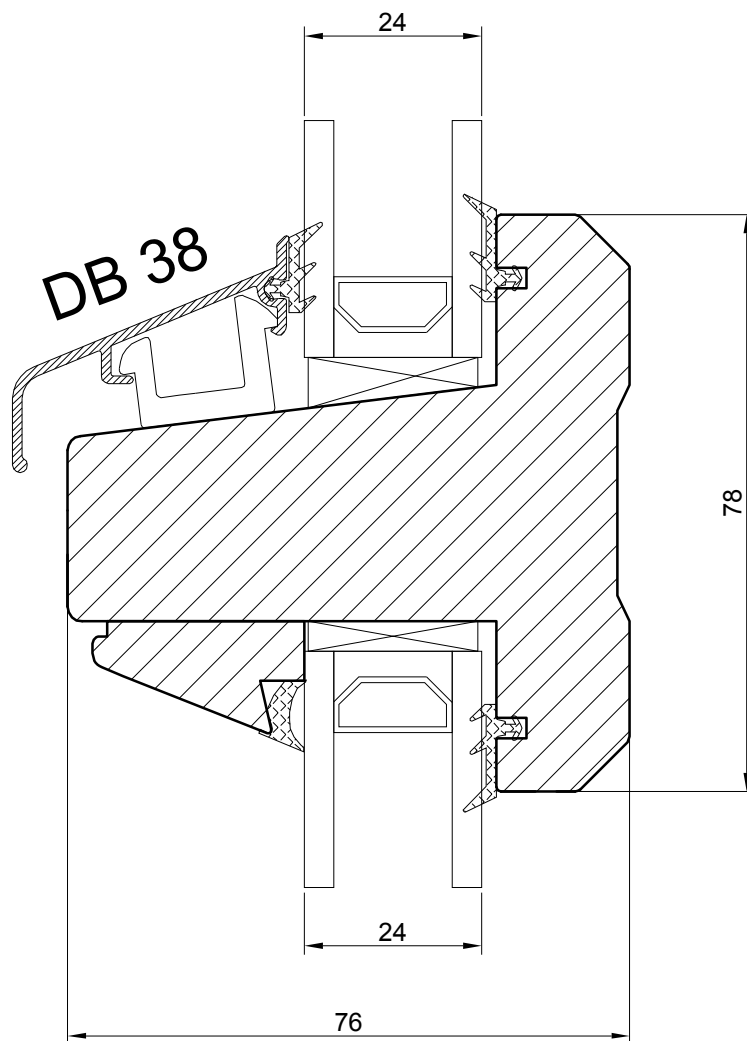
FULLY REVERSIBLE WINDOW (OPUS HINGES)

NORWOOD SP.ZO.O.

Ul. Rataja 6, Rusocin
83-031 Łęgowo
+48 692 22 00
biuro@norwood.pl

Description **HTSO N95 FULLY REVERSIBLE WINDOW**
VERTICAL BAR 58 (36 mm glass)

<i>Revis.</i>	<i>Date</i>	<i>Size</i> 1:1	<i>Drw.</i>	<i>Date</i> 02.01.2018
<i>Verif.</i>	<i>Date</i>	<i>Drawing no.</i> HTSO - 36 - vs58 - 01		



FULLY REVERSIBLE WINDOW (OPUS HINGES)

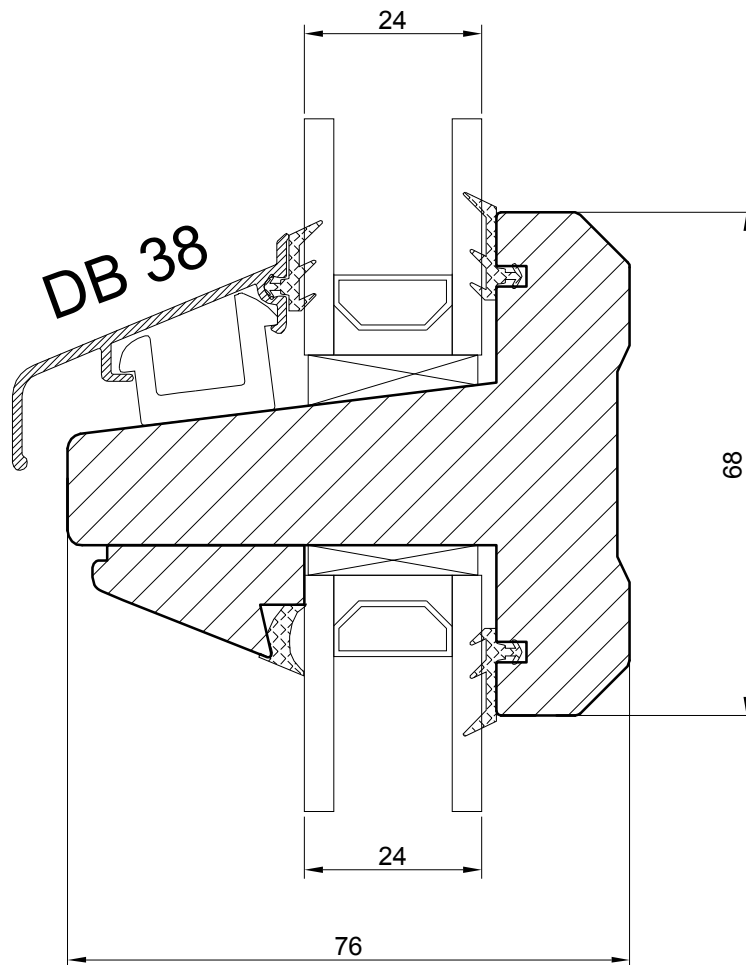
NORWOOD SP.ZO.O.

Ul. Rataja 6, Rusocin
83-031 Łęgowo
+48 692 22 00
biuro@norwood.pl

Description **HTSO N95 FULLY REVERSIBLE WINDOW
HORIZONTAL BAR 78 (24 mm glass)**

<i>Revis.</i>	<i>Date</i>	<i>Size</i> 1:1	<i>Drw.</i>	<i>Date</i> 02.01.2018
---------------	-------------	------------------------	-------------	-------------------------------

<i>Verif.</i>	<i>Date</i>	<i>Drawing no.</i> HTSO - 24 - hs78 - 01
---------------	-------------	---

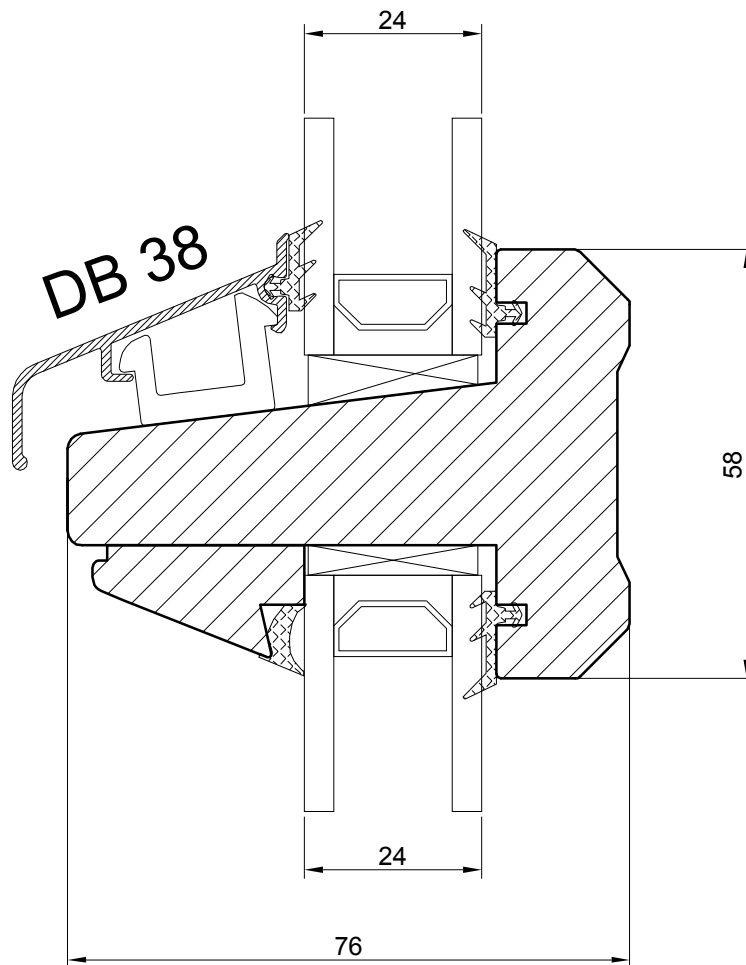


FULLY REVERSIBLE WINDOW (OPUS HINGES)

NORWOOD SP.ZO.O.

Ul. Rataja 6, Rusocin
83-031 Łęgowo
+48 692 22 00
biuro@norwood.pl

<i>Description</i>		HTSO N95 FULLY REVERSIBLE WINDOW	
		HORIZONTAL BAR 68 (24 mm glass)	
<i>Revis.</i>	<i>Date</i>	<i>Size</i> 1:1	<i>Drw.</i> <i>Date</i> 02.01.2018
<i>Verif.</i>	<i>Date</i>	<i>Drawing no.</i> HTSO - 24 - hs68 - 01	

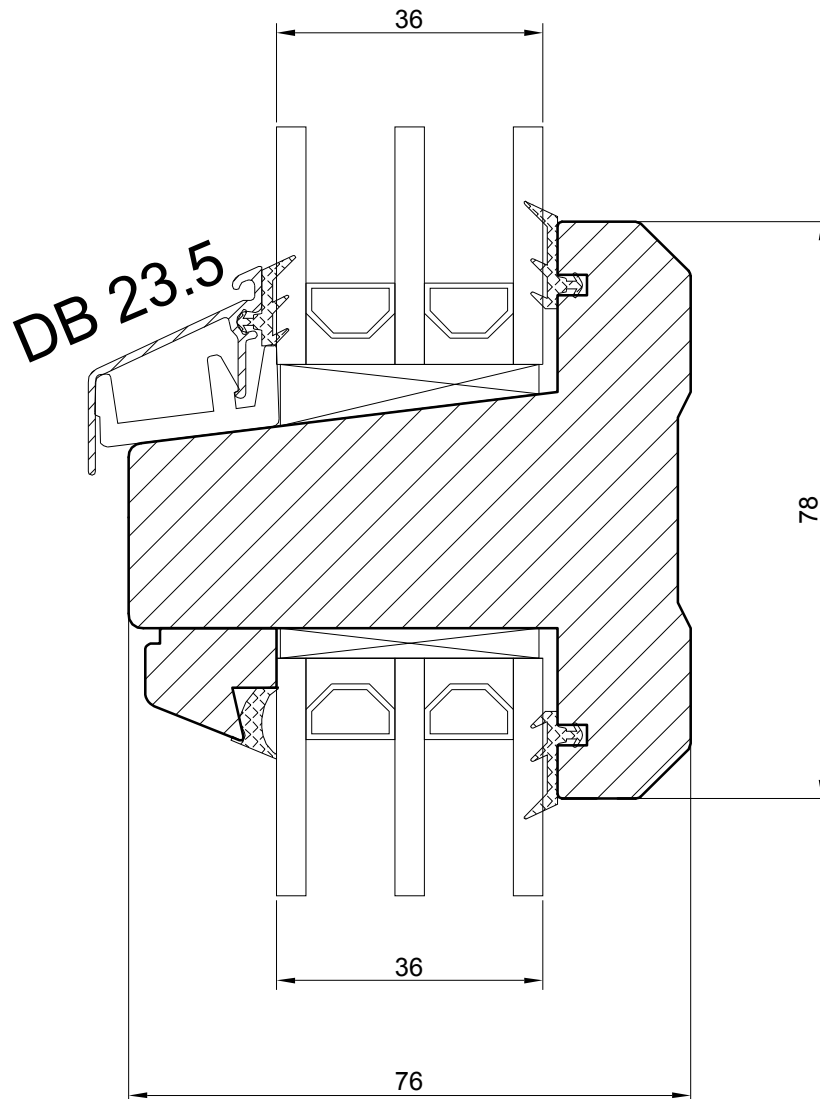


FULLY REVERSIBLE WINDOW (OPUS HINGES)

NORWOOD SP.ZO.O.

Ul. Rataja 6, Rusocin
83-031 Łęgowo
+48 692 22 00
biuro@norwood.pl

<i>Description</i>		HTSO N95 FULLY REVERSIBLE WINDOW			
		HORIZONTAL BAR 58 (24 mm glass)			
<i>Revis.</i>	<i>Date</i>	<i>Size</i>	<i>Drw.</i>	<i>Date</i>	
		1:1		02.01.2018	
<i>Verif.</i>	<i>Date</i>	<i>Drawing no.</i>			
		HTSO - 24 - hs58 - 01			

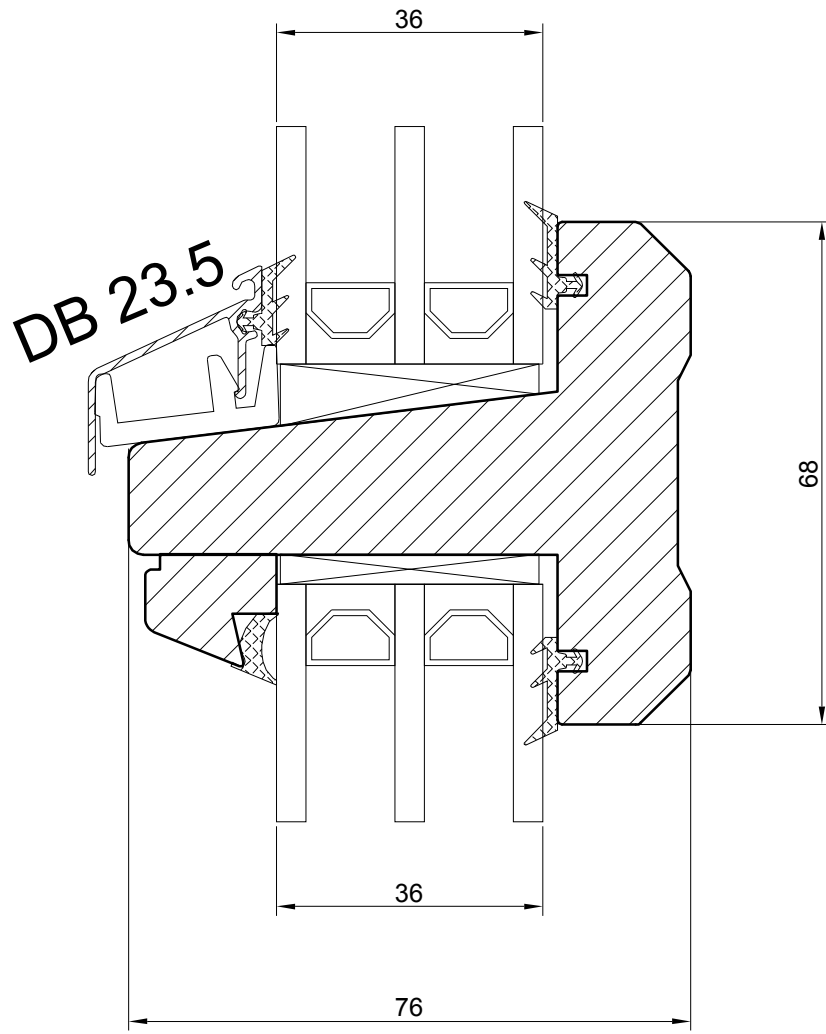


FULLY REVERSIBLE WINDOW (OPUS HINGES)

NORWOOD SP.ZO.O.

Ul. Rataja 6, Rusocin
83-031 Łęgowo
+48 692 22 00
biuro@norwood.pl

<i>Description</i>		HTSO N95 FULLY REVERSIBLE WINDOW			
		HORIZONTAL BAR 78 (36 mm glass)			
<i>Revis.</i>	<i>Date</i>	<i>Size</i>	<i>Drw.</i>	<i>Date</i>	
		1:1		02.01.2018	
<i>Verif.</i>	<i>Date</i>	<i>Drawing no.</i>			
		HTSO - 36 - hs78 - 01			

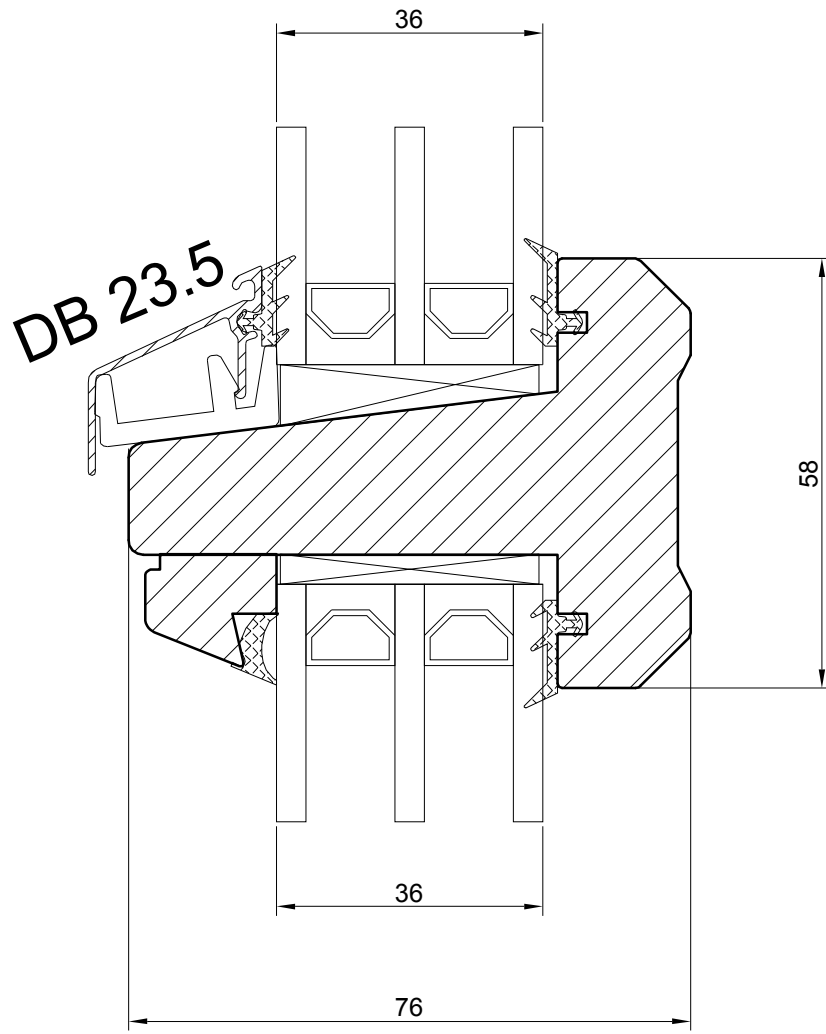


FULLY REVERSIBLE WINDOW (OPUS HINGES)

NORWOOD SP.ZO.O.

Ul. Rataja 6, Rusocin
 83-031 Łęgowo
 +48 692 22 00
 biuro@norwood.pl

<i>Description</i>		HTSO N95 FULLY REVERSIBLE WINDOW			
		HORIZONTAL BAR 68 (36 mm glass)			
<i>Revis.</i>	<i>Date</i>	<i>Size</i>	<i>Drw.</i>	<i>Date</i>	
		1:1		02.01.2018	
<i>Verif.</i>	<i>Date</i>	<i>Drawing no.</i>			
		HTSO - 36 - hs68 - 01			



FULLY REVERSIBLE WINDOW (OPUS HINGES)

NORWOOD SP.ZO.O.

Ul. Rataja 6, Rusocin
 83-031 Łęgowo
 +48 692 22 00
 biuro@norwood.pl

Description **HTSO N95 FULLY REVERSIBLE WINDOW**

HORIZONTAL BAR 58 (36 mm glass)

<i>Revis.</i>	<i>Date</i>	<i>Size</i> 1:1	<i>Drw.</i>	<i>Date</i> 02.01.2018
---------------	-------------	------------------------	-------------	-------------------------------

<i>Verif.</i>	<i>Date</i>	<i>Drawing no.</i> HTSO - 36 - hs58 - 01
---------------	-------------	---