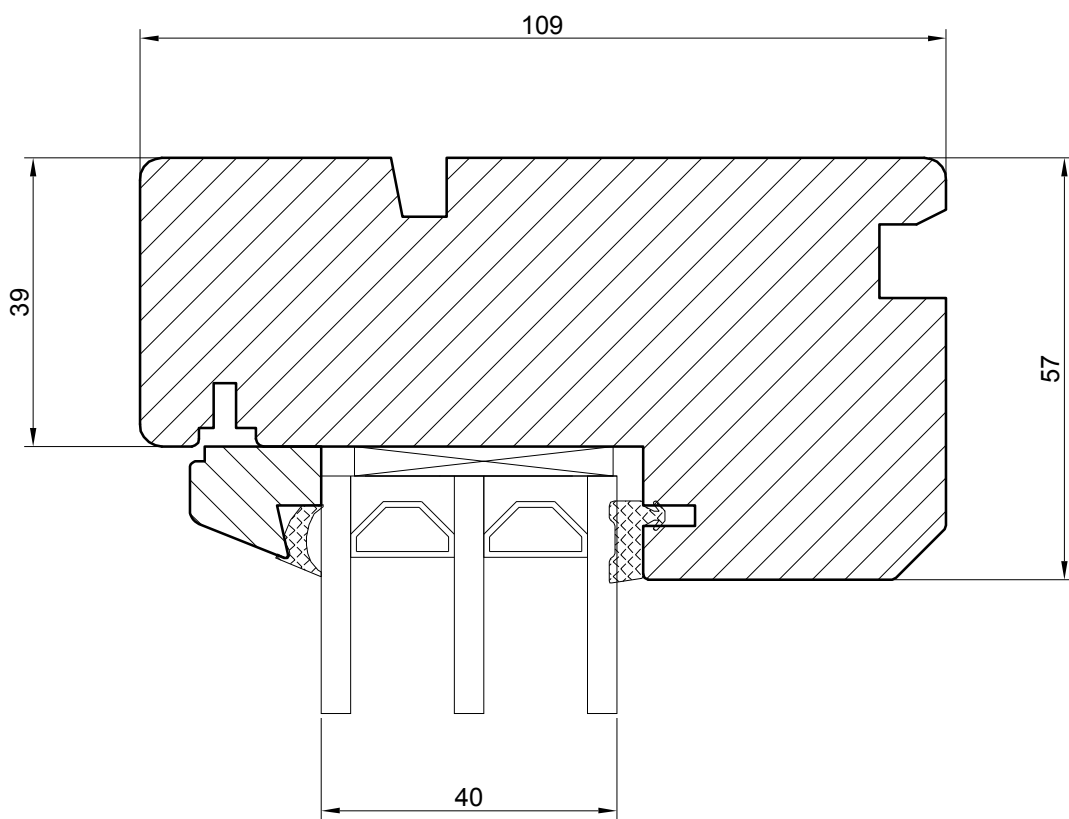


FIXED PASSIVE WINDOW

NORWOOD SP.ZO.O.

Ul. Rataja 6, Rusocin
83-031 Łęgowo
+48 692 22 00
biuro@norwood.pl

<i>Description</i>		HFKP N109 FIXED WINDOW	
		HEAD SECTION (30 mm glass)	
<i>Revis.</i>	<i>Date</i>	<i>Size</i> 1:1	<i>Drw.</i>
			<i>Date</i> 02.01.2018
<i>Verif.</i>	<i>Date</i>	<i>Drawing no.</i>	HFKP - 30 - he - 01

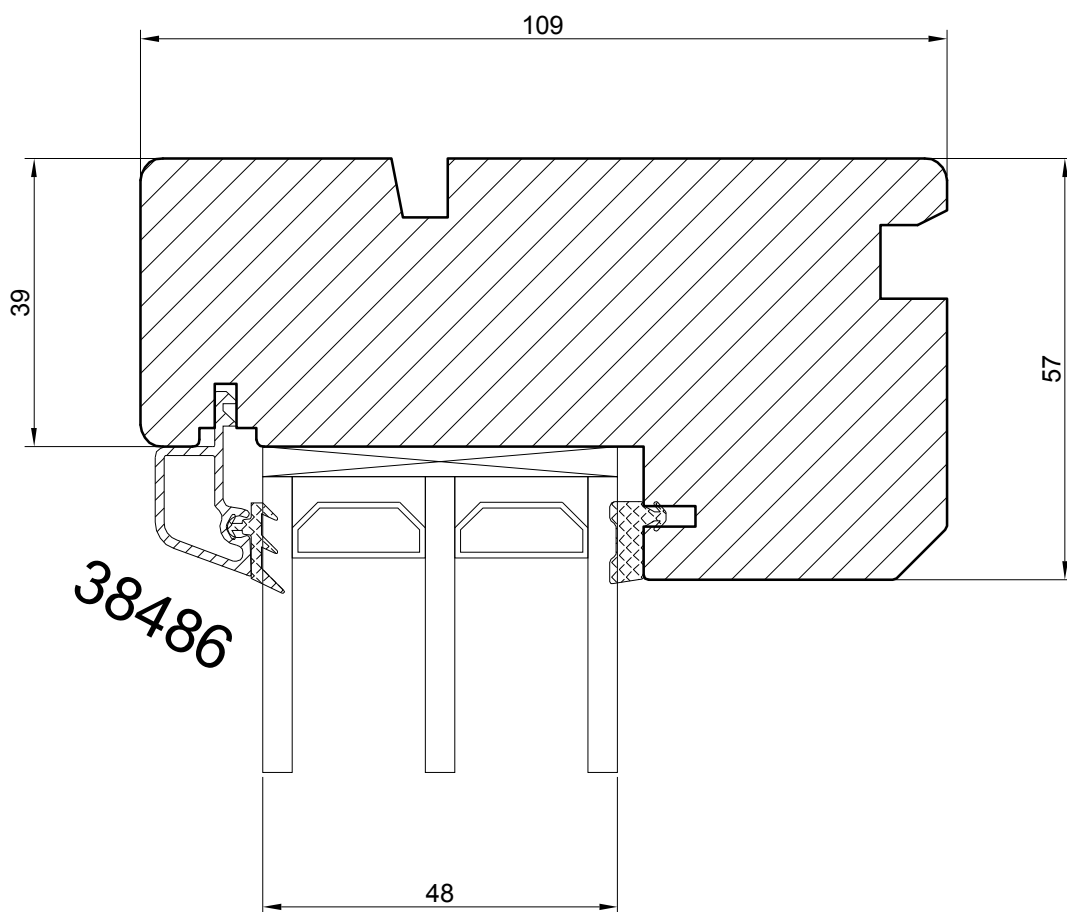


FIXED PASSIVE WINDOW

NORWOOD SP.ZO.O.

Ul. Rataja 6, Rusocin
83-031 Łęgowo
+48 692 22 00
biuro@norwood.pl

<i>Description</i>		HFKP N109 FIXED WINDOW	
		HEAD SECTION (40 mm glass)	
<i>Revis.</i>	<i>Date</i>	<i>Size</i> 1:1	<i>Draw.</i> 02.01.2018
<i>Verif.</i>	<i>Date</i>	<i>Drawing no.</i> HFKP - 40 - he - 01	



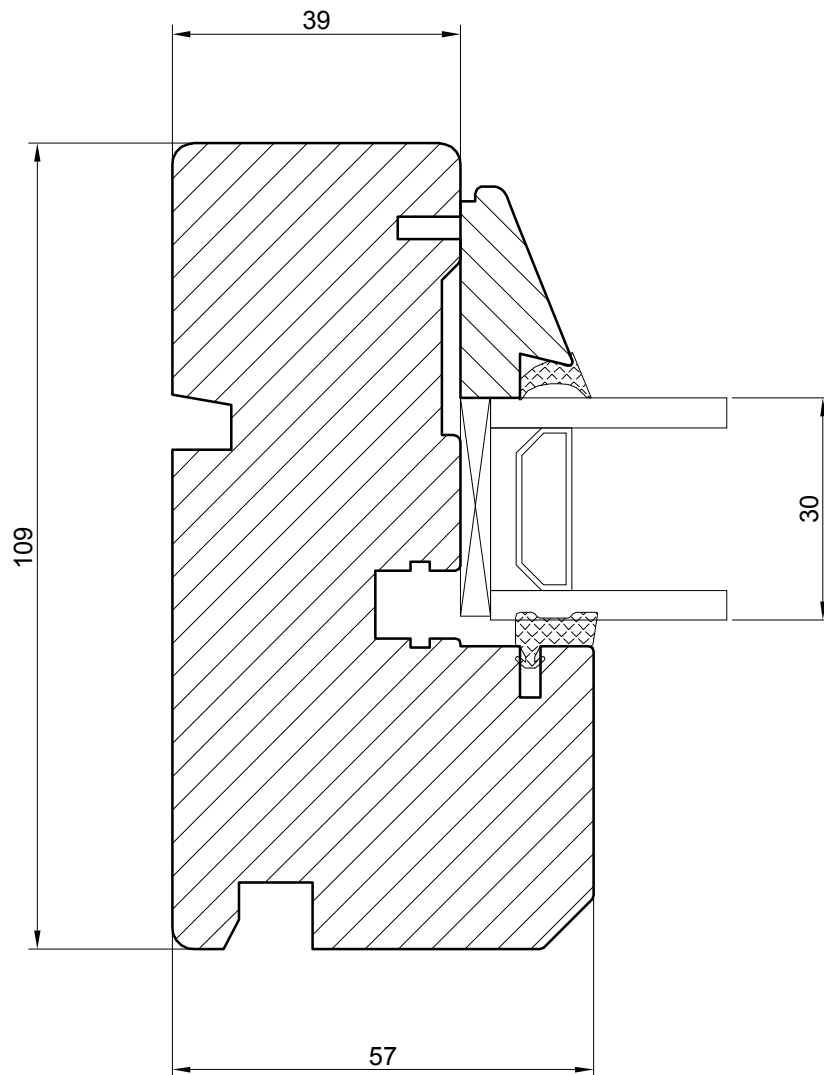
FIXED PASSIVE WINDOW

NORWOOD SP.ZO.O.

Ul. Rataja 6, Rusocin
83-031 Łęgowo
+48 692 22 00
biuro@norwood.pl

Description **HFKP N109 FIXED WINDOW**
HEAD SECTION (48 mm glass)

Revis.	Date	Size	1:1	Drw.	Date	02.01.2018
Verif.	Date	Drawing no.	HFKP - 48 - he - 01			

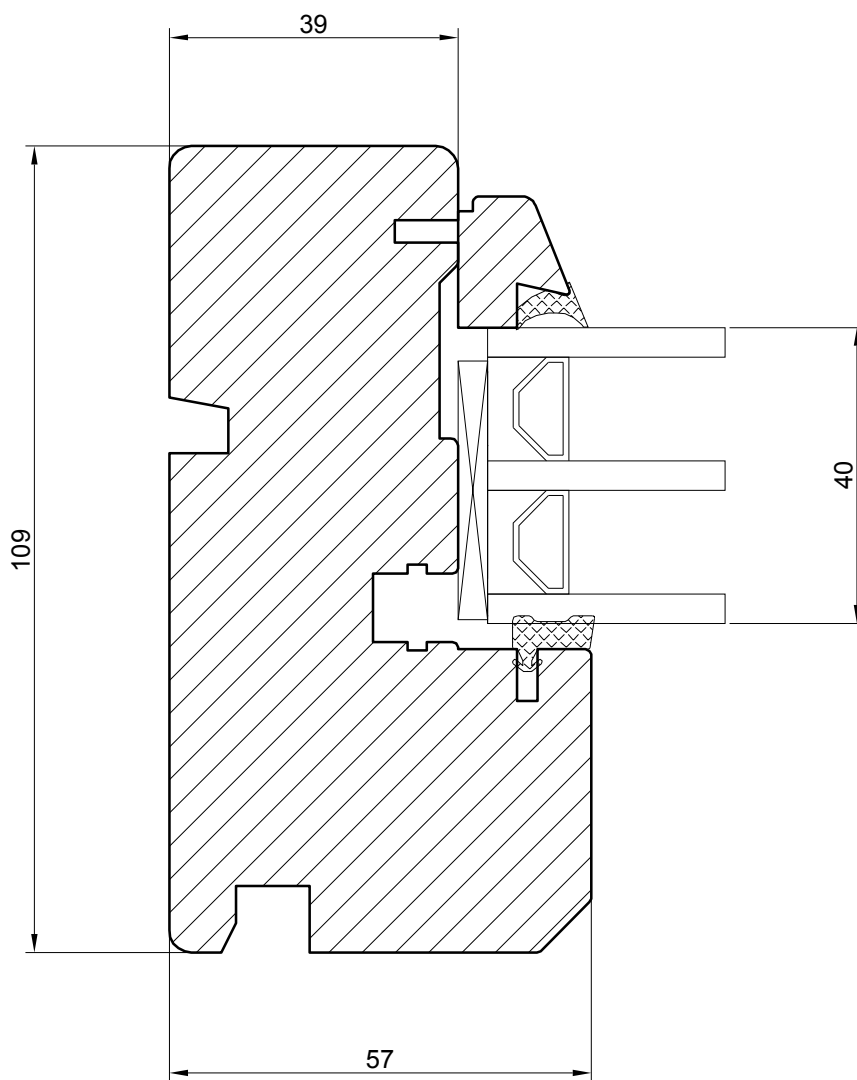


FIXED PASSIVE WINDOW

NORWOOD SP.ZO.O.

Ul. Rataja 6, Rusocin
83-031 Łęgowo
+48 692 22 00
biuro@norwood.pl

<i>Description</i>		HFKP N109 FIXED WINDOW			
		SIDE SECTION (30 mm glass)			
<i>Revis.</i>	<i>Date</i>	<i>Size</i>	<i>Drw.</i>	<i>Date</i>	
		1:1		02.01.2018	
<i>Verif.</i>	<i>Date</i>	<i>Drawing no.</i>			
		HFKP - 30 - se - 01			

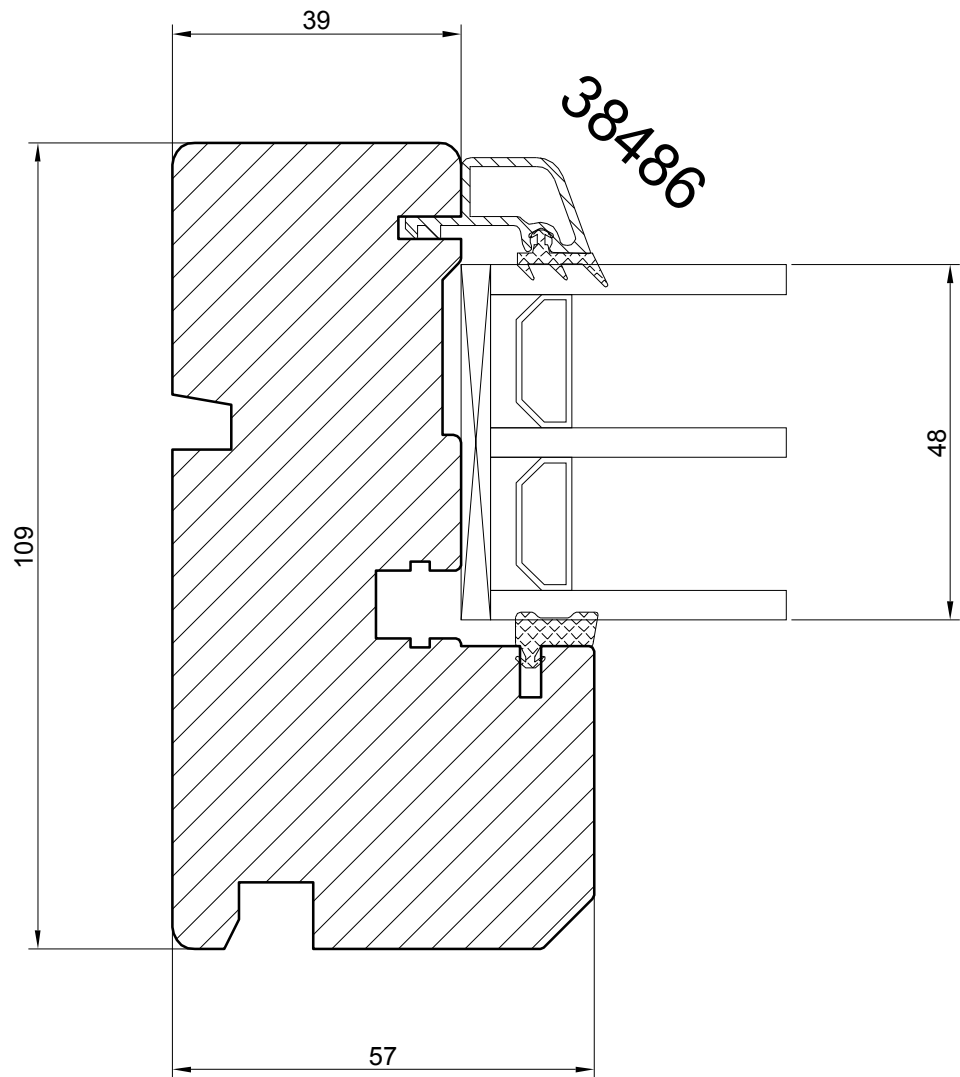


FIXED PASSIVE WINDOW

NORWOOD SP.ZO.O.

Ul. Rataja 6, Rusocin
 83-031 Łęgowo
 +48 692 22 00
 biuro@norwood.pl

<i>Description</i>		HFKP N109 FIXED WINDOW			
		SIDE SECTION (40 mm glass)			
<i>Revis.</i>	<i>Date</i>	<i>Size</i>	<i>Drw.</i>	<i>Date</i>	
		1:1		02.01.2018	
<i>Verif.</i>	<i>Date</i>	<i>Drawing no.</i>			
		HFKP - 40 - se - 01			

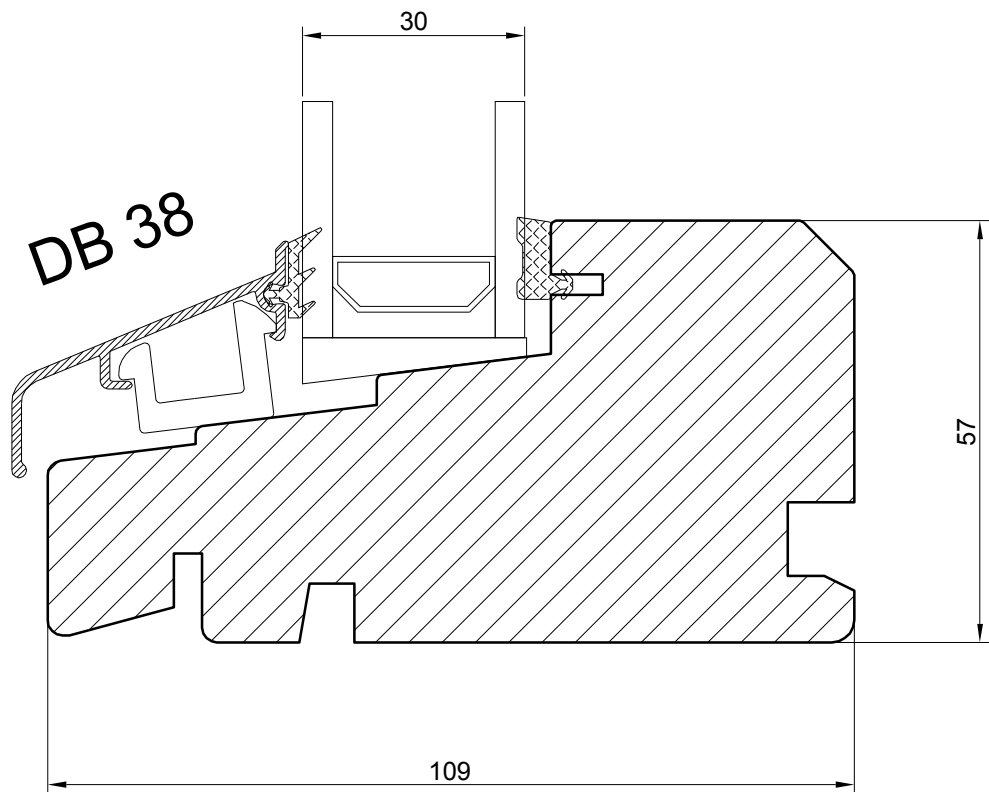


FIXED PASSIVE WINDOW

NORWOOD SP.ZO.O.

Ul. Rataja 6, Rusocin
 83-031 Łęgowo
 +48 692 22 00
 biuro@norwood.pl

<i>Description</i>		HFKP N109 FIXED WINDOW			
		SIDE SECTION (48 mm glass)			
<i>Revis.</i>	<i>Date</i>	<i>Size</i>	<i>Drw.</i>	<i>Date</i>	
		1:1		02.01.2018	
<i>Verif.</i>	<i>Date</i>	<i>Drawing no.</i>			
		HFKP - 48 - se - 01			

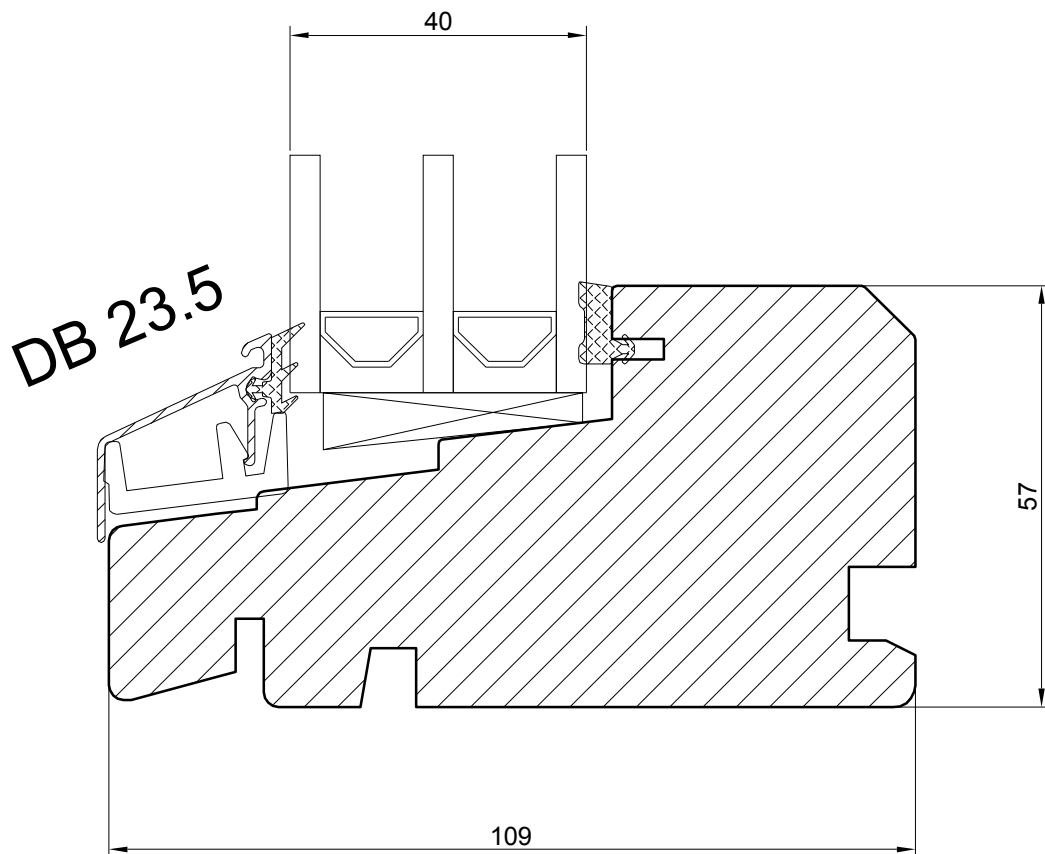


FIXED PASSIVE WINDOW

NORWOOD SP.ZO.O.

Ul. Rataja 6, Rusocin
83-031 Łęgowo
+48 692 22 00
biuro@norwood.pl

<i>Description</i>		HFKP N109 FIXED WINDOW			
		SILL SECTION (30 mm glass)			
<i>Revis.</i>	<i>Date</i>	<i>Size</i>	<i>Drw.</i>	<i>Date</i>	
		1:1		02.01.2018	
<i>Verif.</i>	<i>Date</i>	<i>Drawing no.</i>			
		HFKP - 30 - sl - 01			

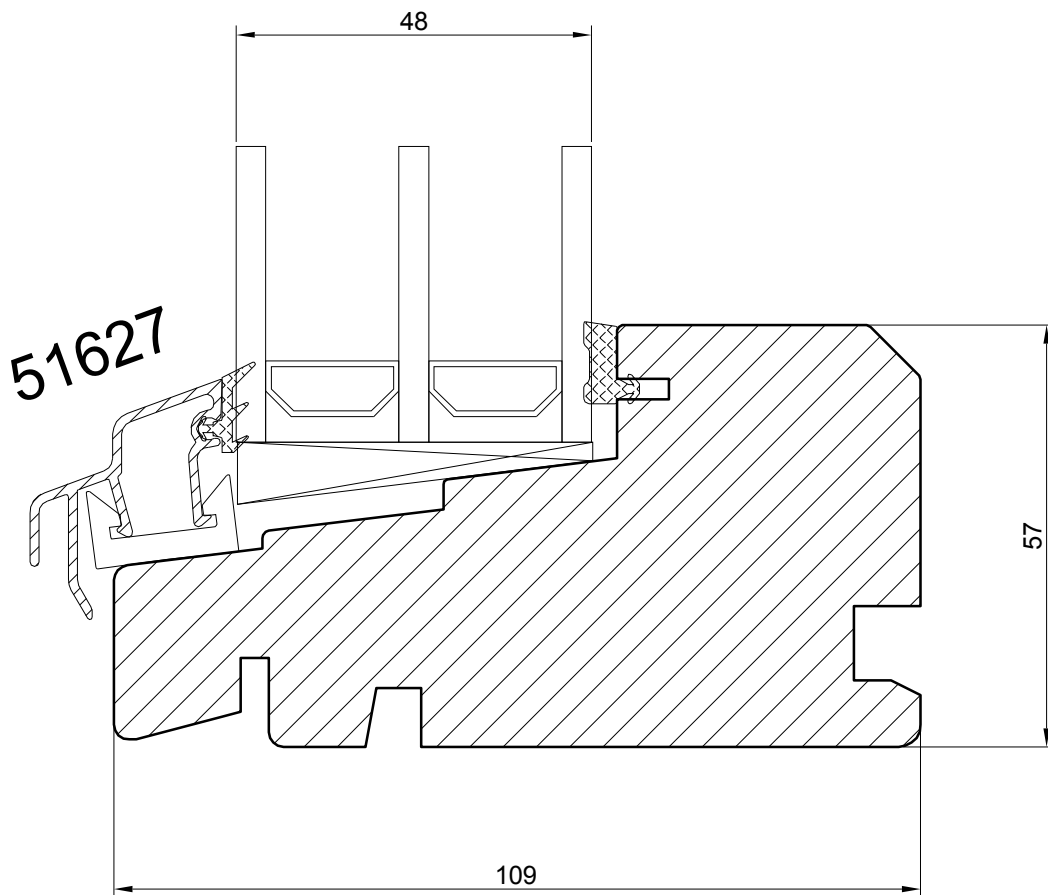


FIXED PASSIVE WINDOW

NORWOOD SP.ZO.O.

Ul. Rataja 6, Rusocin
 83-031 Łęgowo
 +48 692 22 00
 biuro@norwood.pl

<i>Description</i>		HFKP N109 FIXED WINDOW	
		SILL SECTION (40 mm glass)	
<i>Revis.</i>	<i>Date</i>	<i>Size</i> 1:1	<i>Drw.</i>
			02.01.2018
<i>Verif.</i>	<i>Date</i>	<i>Drawing no.</i>	HFKP - 40 - sl - 01



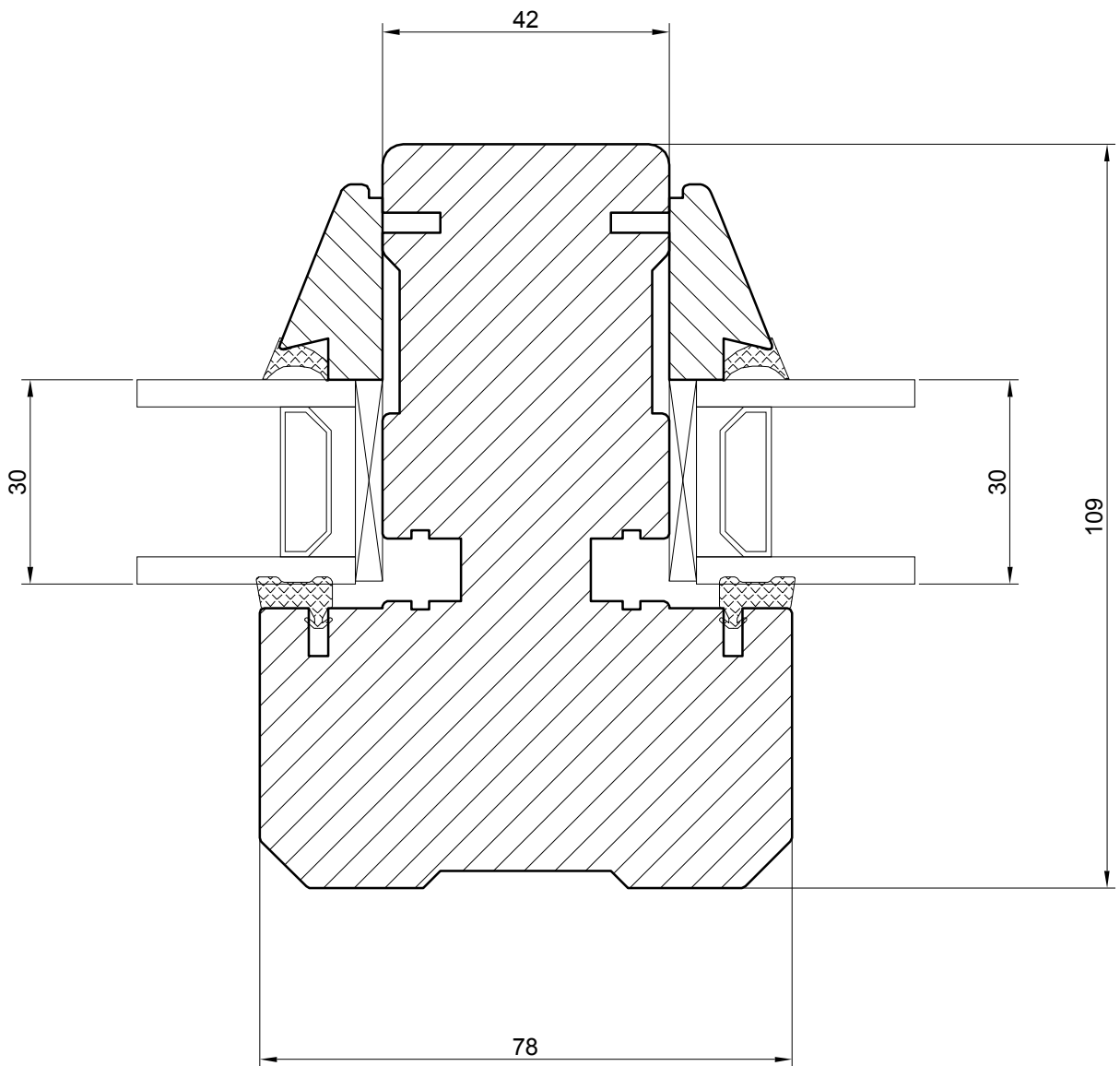
FIXED PASSIVE WINDOW

NORWOOD SP.ZO.O.

Ul. Rataja 6, Rusocin
83-031 Łęgowo
+48 692 22 00
biuro@norwood.pl

Description **HFKP N109 FIXED WINDOW**
SILL SECTION (48 mm glass)

Revis.	Date	Size	1:1	Drw.	Date	02.01.2018
Verif.	Date	Drawing no.	HFKP - 48 - sl - 01			

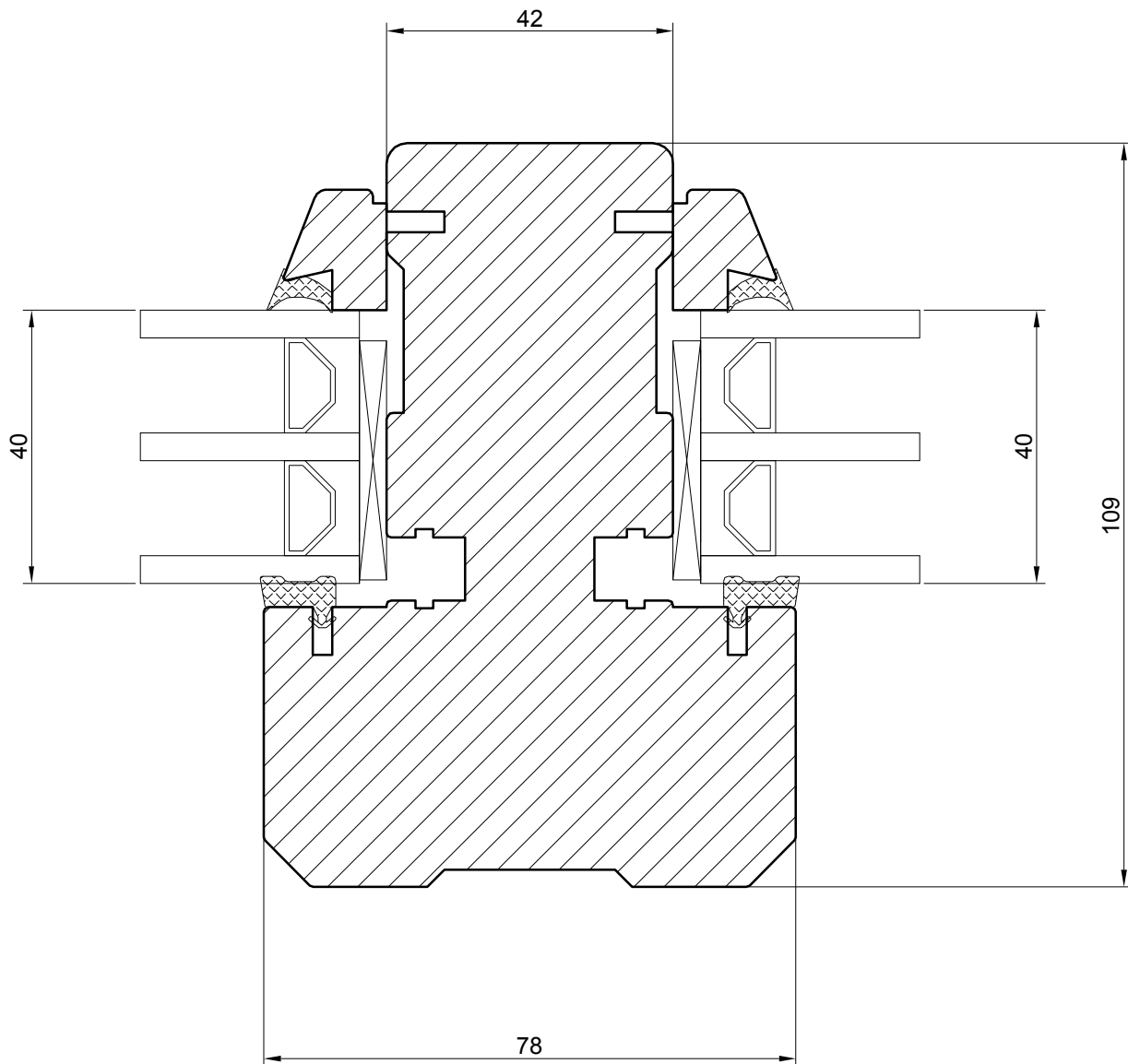


FIXED PASSIVE WINDOW

NORWOOD SP.ZO.O.

Ul. Rataja 6, Rusocin
83-031 Łęgowo
+48 692 22 00
biuro@norwood.pl

<i>Description</i>		HFKP N109 FIXED WINDOW			
		MULLION (30 mm glass)			
<i>Revis.</i>	<i>Date</i>	<i>Size</i>	<i>Drw.</i>	<i>Date</i>	
		1:1		02.01.2018	
<i>Verif.</i>	<i>Date</i>	<i>Drawing no.</i>			
		HFKP - 30 - ml - 01			

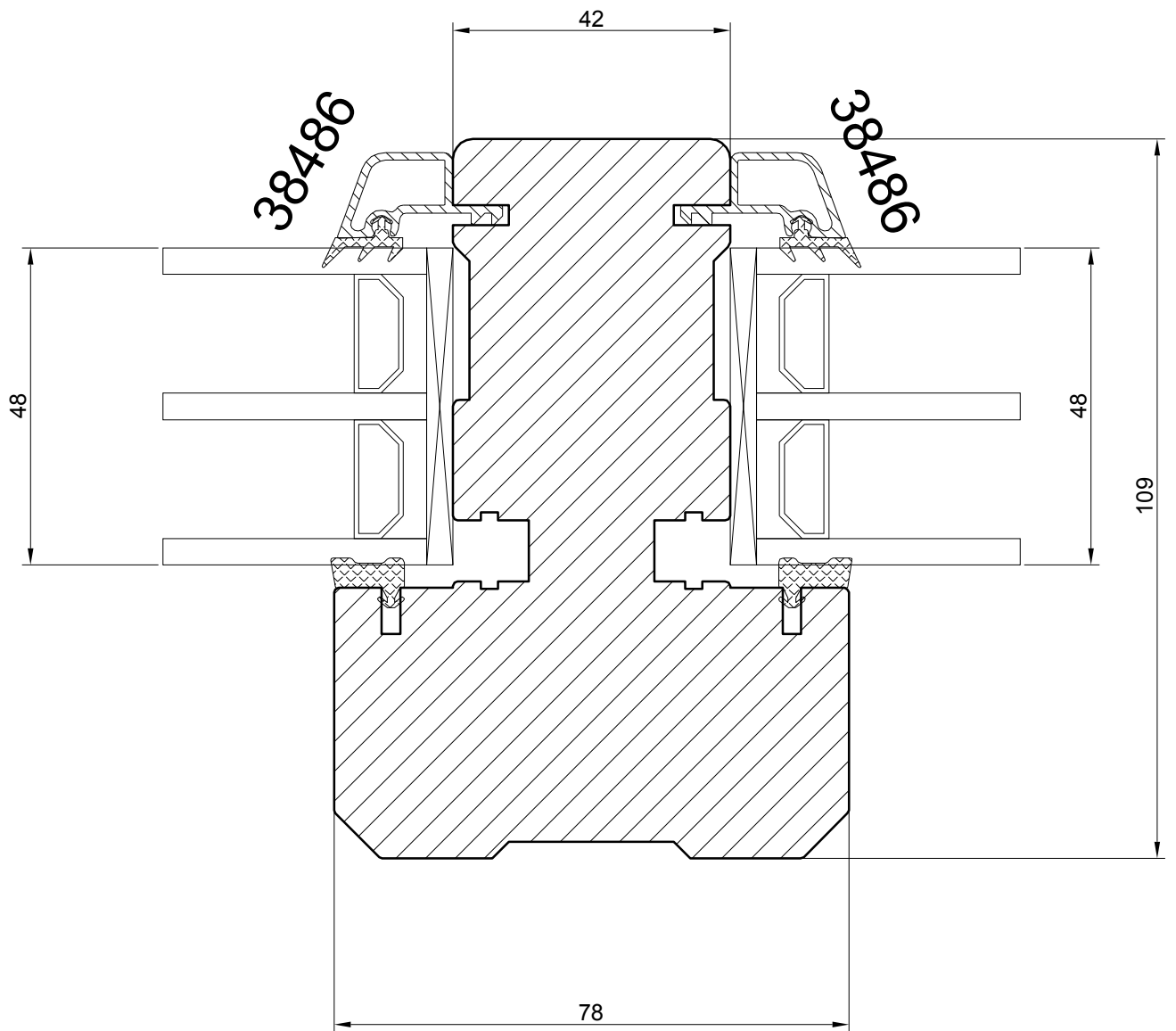


FIXED PASSIVE WINDOW

NORWOOD SP.ZO.O.

Ul. Rataja 6, Rusocin
 83-031 Łęgowo
 +48 692 22 00
 biuro@norwood.pl

<i>Description</i>		HFKP N109 FIXED WINDOW			
		MULLION (40 mm glass)			
<i>Revis.</i>	<i>Date</i>	<i>Size</i>	<i>Drw.</i>	<i>Date</i>	
		1:1		02.01.2018	
<i>Verif.</i>	<i>Date</i>	<i>Drawing no.</i>			
		HFKP - 40 - ml - 01			

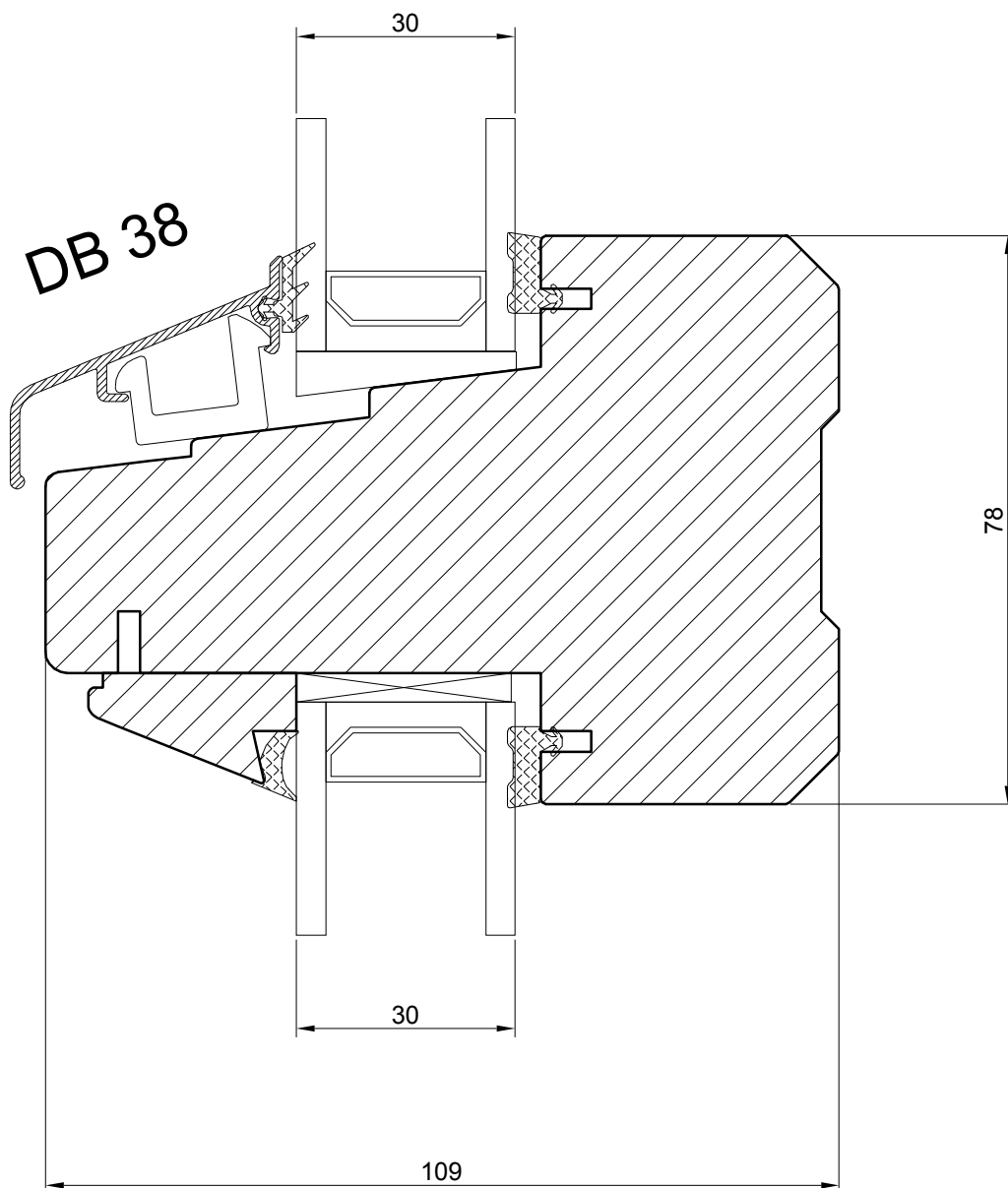


FIXED PASSIVE WINDOW

NORWOOD SP.ZO.O.

Ul. Rataja 6, Rusocin
83-031 Łęgowo
+48 692 22 00
biuro@norwood.pl

<i>Description</i>		HFKP N109 FIXED WINDOW	
		MULLION (48 mm glass)	
<i>Revis.</i>	<i>Date</i>	<i>Size</i> 1:1	<i>Drw.</i>
			02.01.2018
<i>Verif.</i>	<i>Date</i>	<i>Drawing no.</i> HFKP - 48 - ml - 01	



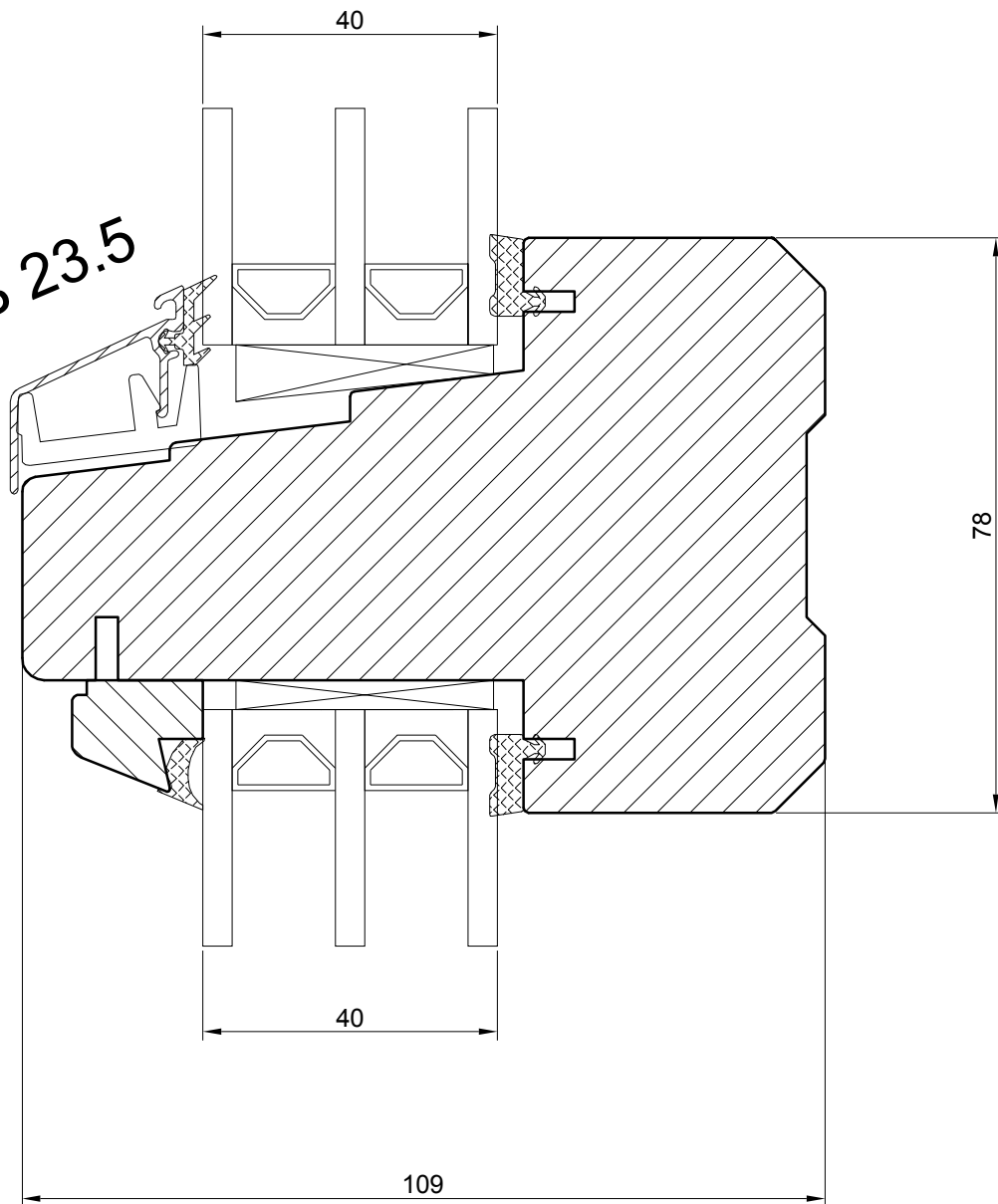
FIXED PASSIVE WINDOW

NORWOOD SP.ZO.O.

Ul. Rataja 6, Rusocin
83-031 Łęgowo
+48 692 22 00
biuro@norwood.pl

<i>Description</i>		HFKP N109 FIXED WINDOW	
		TRANSOM (30 mm glass)	
<i>Revis.</i>	<i>Date</i>	<i>Size</i> 1:1	<i>Drw.</i>
			02.01.2018
<i>Verif.</i>	<i>Date</i>	<i>Drawing no.</i>	HFKP - 30 - ts - 01

DB 23.5



FIXED PASSIVE WINDOW

NORWOOD SP.ZO.O.

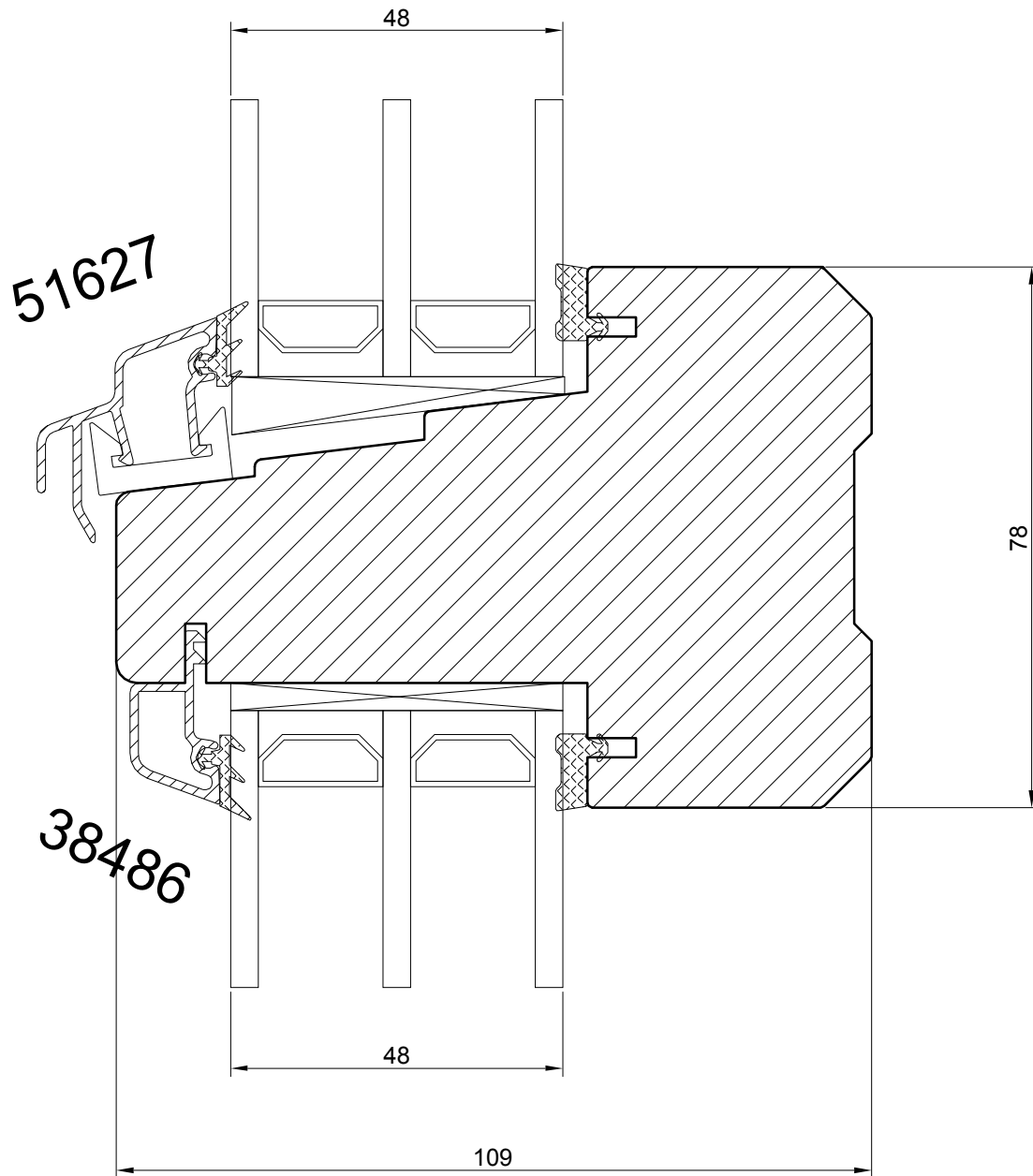
Ul. Rataja 6, Rusocin
83-031 Łęgowo
+48 692 22 00
biuro@norwood.pl

Description **HFKP N109 FIXED WINDOW**
TRANSOM (40 mm glass)

Revis.	Date	Size	1:1	Drw.	Date
Verif.	Date	Drawing no.	HFKP - 40 - ts - 01		

02.01.2018

HFKP - 40 - ts - 01



FIXED PASSIVE WINDOW

NORWOOD SP.ZO.O.

Ul. Rataja 6, Rusocin
83-031 Łęgowo
+48 692 22 00
biuro@norwood.pl

<i>Description</i>		HFKP N109 FIXED WINDOW			
		TRANSOM (48 mm glass)			
<i>Revis.</i>	<i>Date</i>	<i>Size</i>	<i>Drw.</i>	<i>Date</i>	
		1:1		02.01.2018	
<i>Verif.</i>	<i>Date</i>	<i>Drawing no.</i>			
		HFKP - 48 - ts - 01			